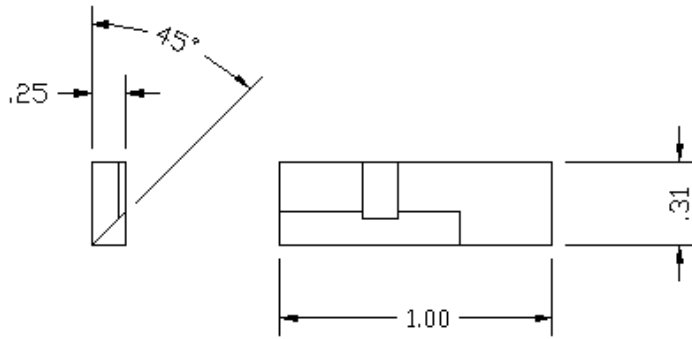


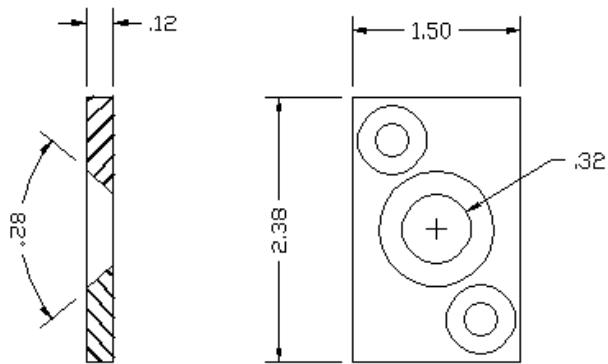
45-725 Blades

REV 1 02/06/2014

Dimensions on blade sketches are in inches.



LB-1609 Moving blade, standard



K-7265 Stationary blade, standard