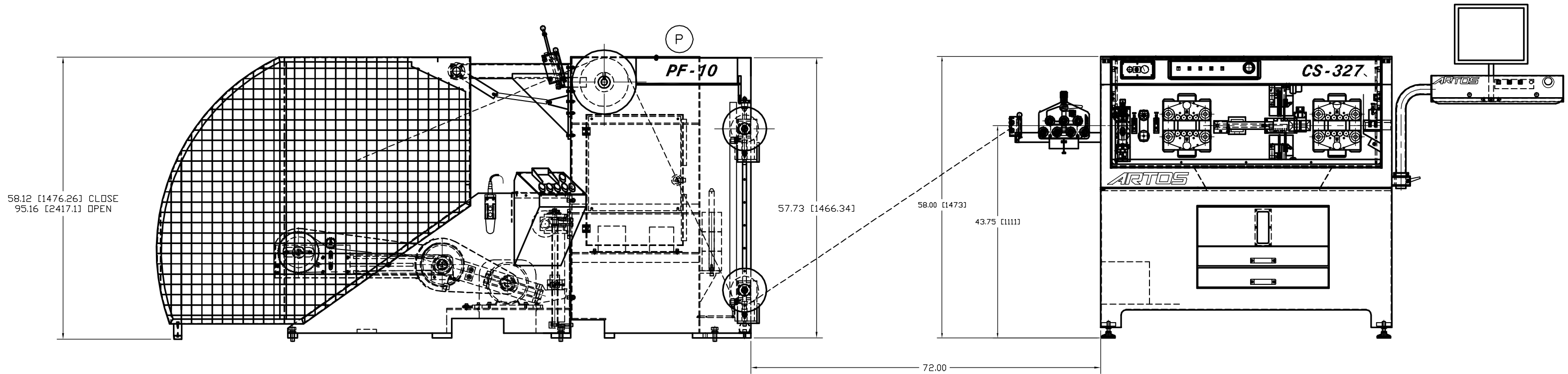
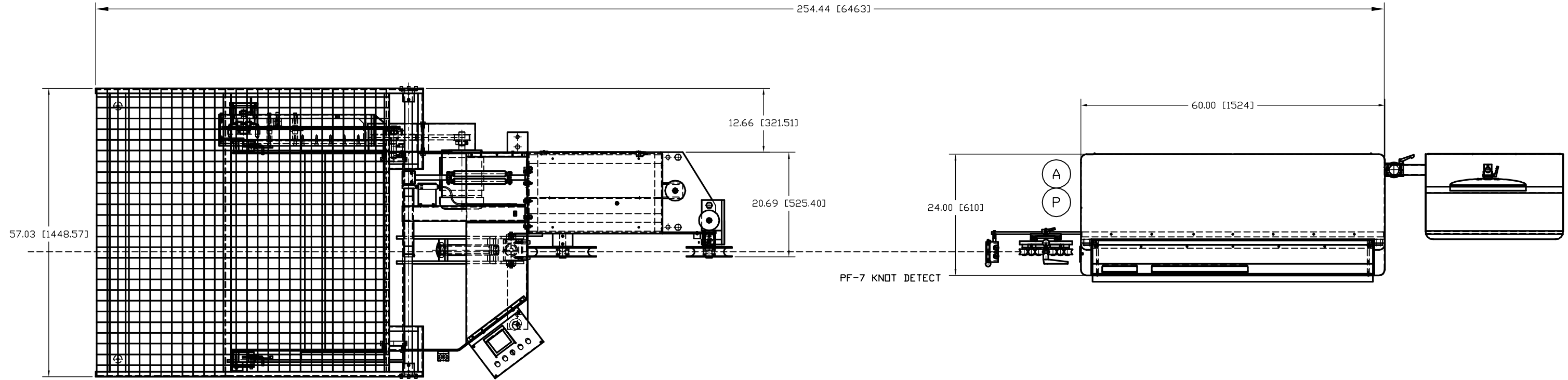


LEAVE THIS AREA CLEAR SO THE WIRE SPOOLS CAN BE ROLLED ONTO THE LOADING RAMP



6-146661	HEAT TREATMENT/SURFACE TREATMENT		MATERIAL DESCRIPTION		USED FOR	
	CONFIDENTIAL <small>This document contains CONFIDENTIAL proprietary information which shall not be used, reproduced, or disclosed to others without prior written approval of Arise Engineering Company.</small>		D		9-CS327999000	
	WORK TO MEAN DIMENSIONS DO NOT SCALE DRAWING		ARTOS ENGINEERING COMPANY		CLASS CODE CS327	
	ES-1 STANDARDS APPLY PLEASE READ THEM BEFORE MFG.		DRAWN BY H. KEENE CHECKED BY M. KIRST		REVISION DATE 03/12/13 REVISION 0 SHEET NUMBER 1 of 1	
		SCALE 1:10 DATE 03/12/2013		DRAWING NO. 6-146661		