

Blades for AM-2

REV 3 11/08/2016

Table of Contents

Universal Tangent radius strip blades, 15 degree cut angle.....	1
Universal Tangent radius strip blades, 20 degree cut angle.....	3
True radius blades.....	3
Drilled die type blades	7
Tangent angle cut off blades.....	8
Collinear angle cut off blades	9
Wide entry cut off blades	9
Wide guides	10
Stripping depth stops.....	12
Tangent radius style 2 conductor stripping blades.....	14
Tangent radius style 3 conductor stripping blades.....	15
Tangent radius style 4 conductor stripping blades.....	17
Flat cable stripping blades	18
Custom multi-conductor strip blades	20
Slitting blade holders and pushers.....	21
Stripping / Cutting blades.	22
Variable spacers	25

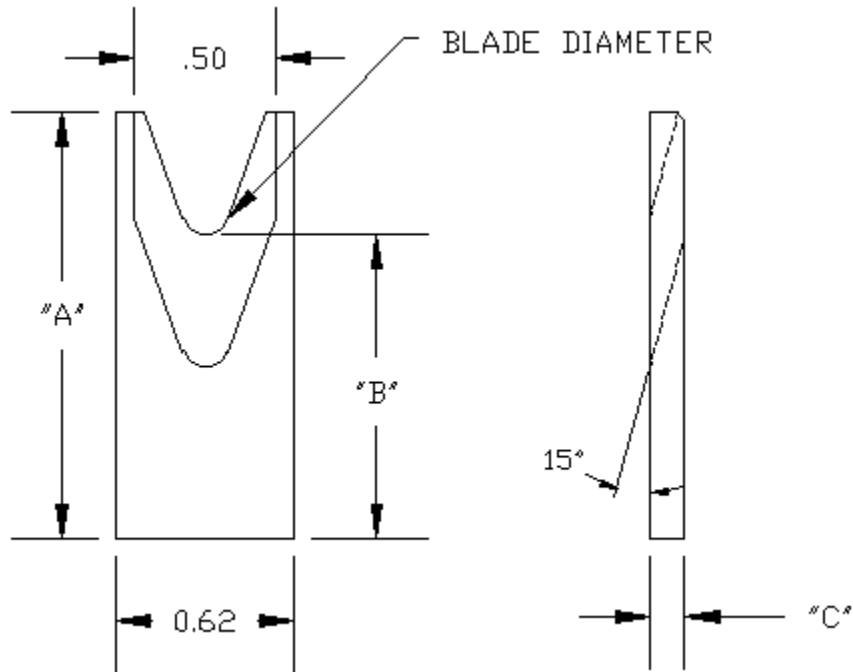
Dimensions on blade sketches are in inches and are only approximate overall dimensions.

Universal Tangent radius strip blades, 15 degree cut angle.

The sharp edge is ground to an arc whose radius approximates awg wire size. The entry angle lines meet the arc at a tangent point. This type of blade, when closed, presents a diamond shaped edge profile. For 1.875 inch (47.6 mm) long blades, the entry angle is wider than the 2.000 inch (50.8 mm) blades, this will accommodate a wider range of wires but it also means that more of the insulation has to be torn rather than cut. For very hard or thinner insulations the 2.000 inch (50.8 mm) length should be chosen.

Advantages: by adjusting cutter head shut height, (if insulation material and wall thickness allow), you can process adjacent wire extrusions.

Disadvantages: inadequate for processing thin wall and/or hard insulations such as cross-link or fiberglass jackets.



Part number	Dia. in	Dia. mm	"A" in	"A" In.	"B" In.	"B" mm	"C" In.	"C" mm
66653-24	0.034	0.86	1.875	47.6	1.133	28.78	0.062	1.57
66653-25	0.034	0.86	2.000	50.8	1.133	28.78	0.125	3.18
66653-26	0.042	1.07	1.875	47.6	1.129	28.68	0.062	1.57
66653-27	0.042	1.07	2.000	50.8	1.129	28.68	0.125	3.18
66653-28	0.052	1.32	1.875	47.6	1.124	28.55	0.062	1.57
66653-29	0.052	1.32	2.000	50.8	1.124	28.55	0.125	3.18
66653-30	0.062	1.57	1.875	47.6	1.119	28.42	0.062	1.57
66653-31	0.062	1.57	2.000	50.8	1.119	28.42	0.125	3.18
66653-32	0.076	1.93	1.875	47.6	1.112	28.24	0.062	1.57
66653-33	0.076	1.93	2.000	50.8	1.112	28.24	0.125	3.18
66653-34	0.096	2.44	1.875	47.6	1.102	27.99	0.062	1.57
66653-35	0.096	2.44	2.000	50.8	1.102	27.99	0.125	3.18
66653-36	0.112	2.84	1.875	47.6	1.094	27.79	0.062	1.57
66653-37	0.112	2.84	2.000	50.8	1.094	27.79	0.125	3.18
66653-38	0.172	4.37	1.875	47.6	1.064	27.03	0.125	3.18
66653-39	0.172	4.37	2.000	50.8	1.064	27.03	0.125	3.18
66653-40	0.222	5.64	1.875	47.6	1.039	26.39	0.125	3.18
66653-41	0.222	5.64	2.000	50.8	1.039	26.39	0.125	3.18
66653-42	0.250	6.35	1.875	47.6	1.025	26.03	0.125	3.18
66653-43	0.350	8.89	1.875	47.6	0.975	24.77	0.125	3.18

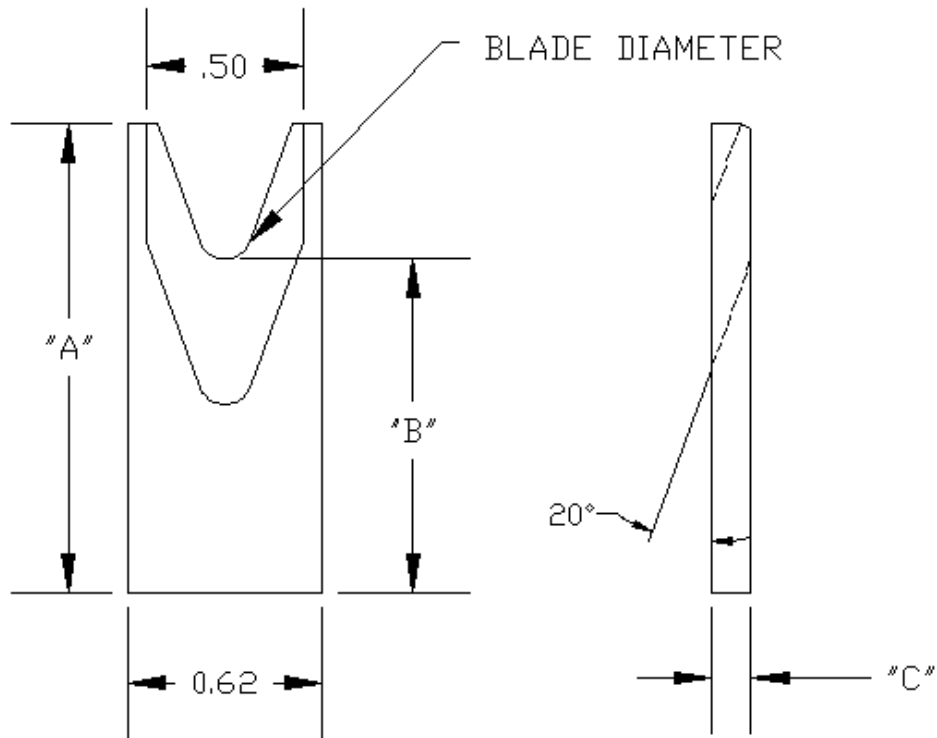
Universal Tangent radius strip blades, 20 degree cut angle.

The sharp edge is ground to an arc whose radius approximates awg wire size. The entry angle lines meet the arc at a tangent point. This type of blade, when closed, presents a diamond shaped edge profile. For 1.875 inch (47.6 mm) long blades, the entry angle is wider than the 2.000 inch (50.8 mm) blades, this will accommodate a wider range of wires but it also means that more of the insulation has to be torn rather than cut. For very hard or thinner insulations the 2.000 inch (50.8 mm) length should be chosen.

The cutting edge of the 20 degree style will stay sharp longer than the 15 degree style but for wire with very thick insulation the tip of the wire may bend more than when using the 15 degree blade.

Advantages: by adjusting cutter head shut height, (if insulation material and wall thickness allow), you can process adjacent wire extrusions.

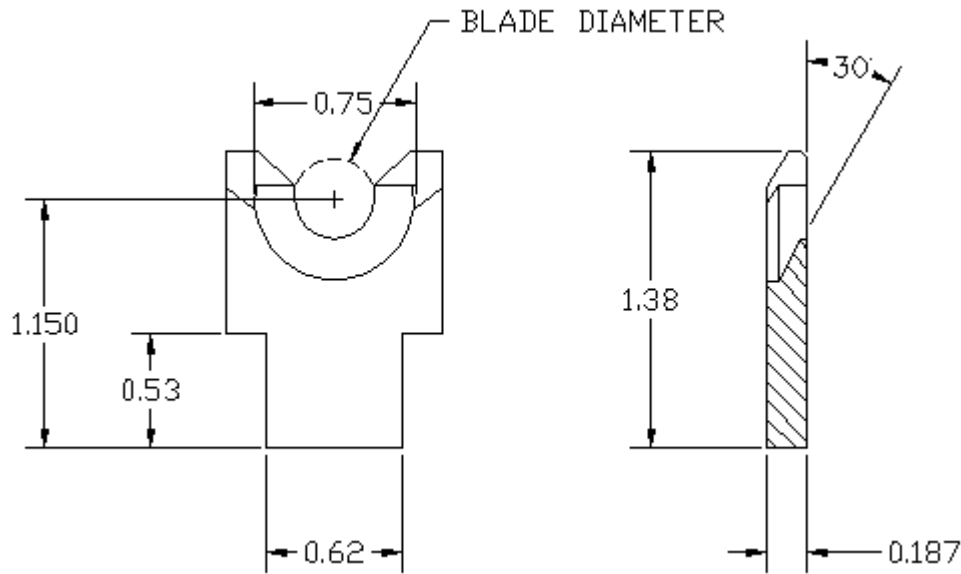
Disadvantages: inadequate for processing thin wall and/or hard insulations such as cross-link or fiberglass jackets.



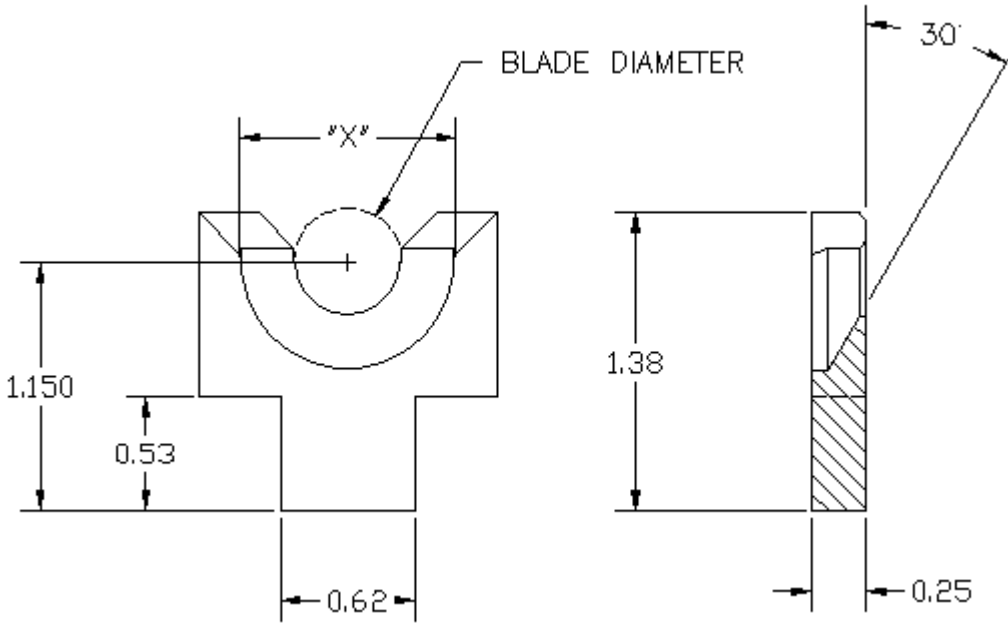
Part number	Dia. in	Dia. mm	"A" in	"A" In.	"B" In.	"B" mm	"C" In.	"C" mm
66653-20	0.012	0.30	1.875	47.6	1.144	28.78	0.062	1.57
66653-21	0.012	0.30	2.000	50.8	1.144	28.78	0.125	3.18
66653-22	0.022	0.56	1.875	47.6	1.139	28.68	0.062	1.57
66653-23	0.022	0.56	2.000	50.8	1.139	28.68	0.125	3.18

True radius blades – (sold as each)

The sharp edge is ground to a half circle whose radius approximates awg wire size. The entry angle lines intersect the half circle at the quadrant points. This type of blade, when closed, presents a true circle profile. Advantages: this type of blade is excellent for precise and clean jacket removal because it combines the scissor-like shearing action of the by-pass blade with the exact hole profile matching a conductor gauge. Excellent for thin wall cross-link PVC and most rubbery or elastic insulations (thin or thick wall). Disadvantages: shut height cannot be modified to process adjacent wire sizes. Off center wire condition has to be considered when choosing blade size.



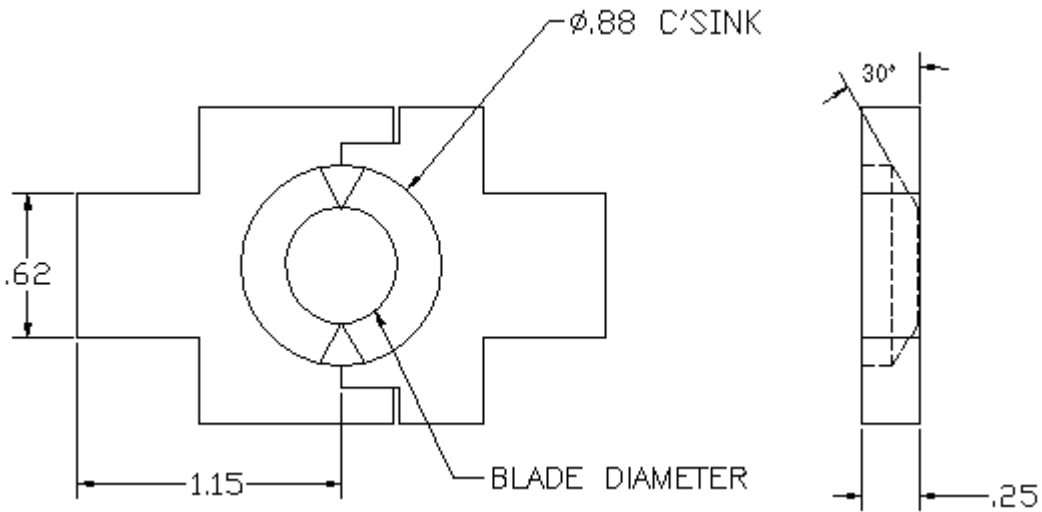
Part number	Dia. in	Dia. mm	Part number	Dia. in	Dia. mm
66649-24	0.140	3.56	66649-7	0.312	7.92
66649-1	0.156	3.96	66649-17	0.323	8.20
66649-2	0.187	4.75	66649-22	0.332	8.43
66649-30	0.193	4.90	66649-8	0.343	8.71
66649-3	0.205	5.21	66649-9	0.358	9.09
66649-23	0.221	5.61	66649-10	0.366	9.30
66649-27	0.224	5.69	66649-11	0.375	9.53
66649-4	0.234	5.94	66649-12	0.386	9.80
66649-28	0.242	6.15	66649-13	0.397	10.08
66649-26	0.250	6.35	66649-14	0.406	10.31
66649-5	0.266	6.76	66649-15	0.421	10.69
66649-21	0.272	6.91	66649-16	0.437	11.10
66649-6	0.281	7.14	66649-18	0.462	11.73
66649-29	0.299	7.59	66649-19	0.478	12.14
66649-25	0.307	7.80	66649-20	0.515	13.08



Part number	Dia. in	Dia. mm	"X" in	"X" In.
66652-26	0.296	7.52	1.00	25.4
66652-1	0.358	9.09	1.00	25.4
66652-2	0.421	10.29	1.00	25.4
66652-29	0.437	11.10	1.00	25.4
66652-3	0.453	11.51	1.00	25.4
66652-4	0.468	11.89	1.00	25.4
66652-5	0.478	12.14	1.00	25.4
66652-6	0.484	12.29	1.00	25.4
66652-7	0.500	12.70	1.00	25.4
66652-8	0.515	13.08	1.00	25.4
66652-9	0.531	13.49	1.00	25.4
66652-10	0.546	13.87	1.00	25.4
66652-11	0.562	14.27	1.00	25.4
66652-12	0.578	14.68	1.00	25.4
66652-13	0.593	15.06	1.00	25.4
66652-14	0.609	15.47	1.00	25.4
66652-15	0.625	15.88	1.00	25.4
66652-16	0.640	16.26	1.00	25.4
66652-17	0.671	17.04	1.00	25.4
66652-18	0.687	17.45	1.00	25.4
66652-31	0.703	17.86	1.00	25.4
66652-27	0.718	18.24	1.00	25.4
66652-19	0.750	19.05	1.00	25.4
66652-24	0.797	20.24	1.25	31.8

66652-20	0.828	21.03	1.25	31.8
66652-22	0.828	21.03	1.25	31.8
66652-21	0.844	21.44	1.25	31.8
66652-25	0.875	22.23	1.25	31.8
66652-28	0.905	22.99	1.25	31.8
66652-30	0.968	24.59	1.31	33.27
66652-23	1.000	25.40	1.25	31.8

These radius blades are sold as pairs.



Part number	Dia. in	Dia. mm	Part number	Dia. in	Dia. mm
81111-1	0.156	3.96	81111-16	0.406	10.31
81111-2	0.187	4.75	81111-17	0.421	10.69
81111-3	0.205	5.21	81111-18	0.437	11.10
81111-35	0.218	5.54	81111-19	0.453	11.51
81111-4	0.228	5.79	81111-20	0.468	11.89
81111-5	0.234	5.94	81111-21	0.478	12.14
81111-6	0.250	6.35	81111-22	0.484	12.29
81111-43	0.261	6.63	81111-23	0.500	12.70
81111-7	0.266	6.76	81111-24	0.515	13.08
81111-8	0.281	7.14	81111-25	0.531	13.49
81111-39	0.290	7.37	81111-42	0.543	13.79
81111-40	0.302	7.67	81111-26	0.546	13.87
81111-9	0.312	7.92	81111-27	0.562	14.27
81111-44	0.316	8.03	81111-28	0.578	14.68
81111-38	0.323	8.20	81111-29	0.593	15.06
81111-37	0.332	8.43	81111-30	0.609	15.47
81111-10	0.343	8.71	81111-31	0.625	15.88

81111-11	0.358	9.09	81111-32	0.640	16.26
81111-12	0.366	9.30	81111-33	0.671	17.04
81111-13	0.375	9.53	81111-34	0.687	17.45
81111-14	0.386	9.80	81111-41	0.734	18.64
81111-15	0.397	10.08	81111-36	0.750	19.05

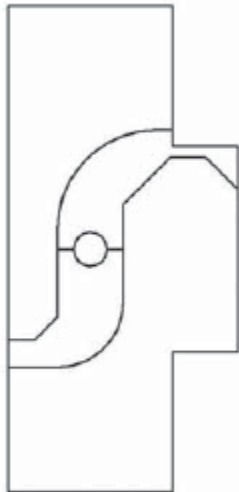
Drilled die type blades

Die type blade for insulation and conductor.

The die-type blade has a fixed shut height. The cutting edge is precisely drilled to an exact radius dimension for the conductor diameter. The insulation wall is contained in a counter-bore drilled around cutting edge.

This type of blade is the most exactly matched blade to the wire specification, giving a very precise insulation removal. This is excellent for removal of extremely thin insulation walls or where the outer jacket is oval shaped, and is also very useful for processing solid conductor insulated wire. Normally this is the blade of choice for sjt, svt, sjo, coaxial cable outer jacket removal, and many round multi-conductor wires.

Die blades are manufactured to the exact wire specifications. Blades can be produced for most any wire. For a specific blade size contact Artos Engineering.



A2-XXX-XXX Die Type Blade

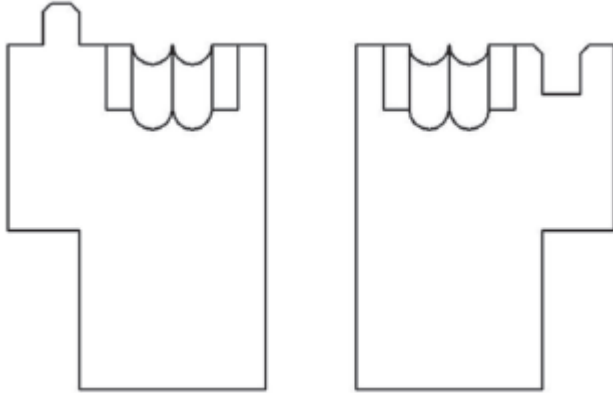
Die type blade for conductor only.

The die-type blade has a fixed shut height. The cutting edge is precisely drilled to an exact radius dimension for the conductor diameter.

This type of blade is the most exactly matched blade to the wire specification, giving a very precise insulation removal. This is excellent for removal of extremely thin insulation walls or where the outer jacket is oval shaped, and is also very useful for processing solid conductor insulated wire.

Normally this is the blade of choice for sjt, svt, sjo, coaxial cable outer jacket removal, and many round multi-conductor wires.

Die blades are manufactured to the exact wire specifications. Blades can be produced for most any wire. For a specific blade size contact Artos Engineering.

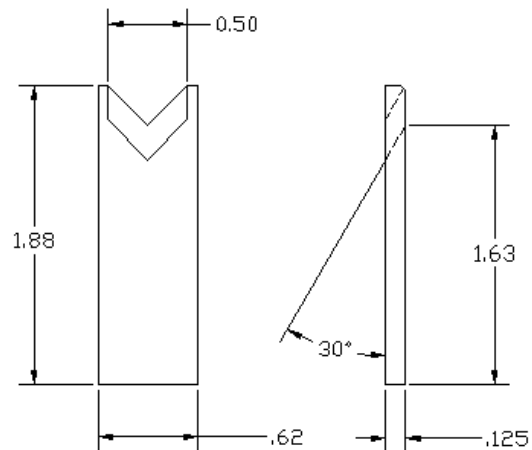


123314-XX Die Type Blade

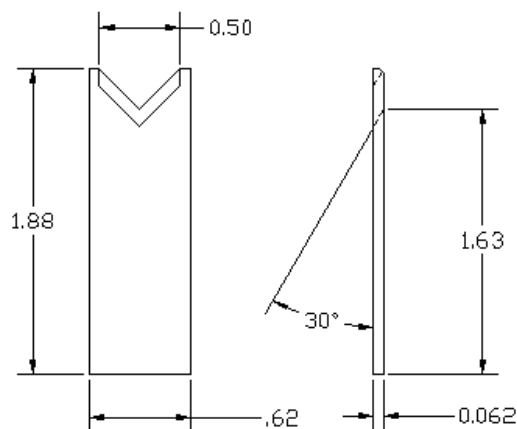
Tangent angle cut off blades

The sharp edge is ground to a radius size. The entry angle lines meet the radius at a tangent point. This type of blade, presents a diamond shaped profile as it closes.

Characteristics: Sharp edges cut by slicing, creating a gradual cut. This produces less deformation of the material being cut. Cutting edges must be able to by-pass each other. This type of cut-off is best used with circular shaped wire.



66653-8 Thick cutoff blade CLA

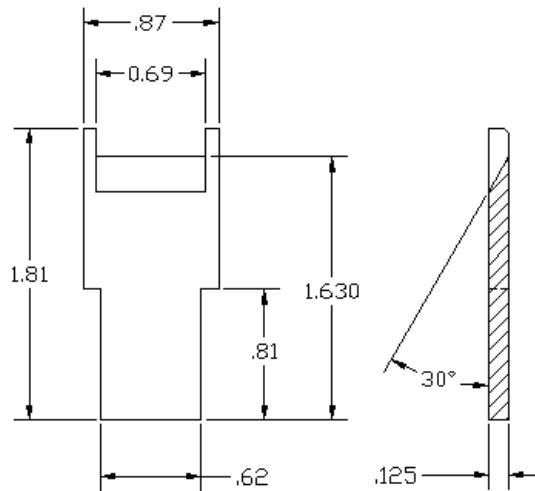


66653-11 Thin cutoff blade CL

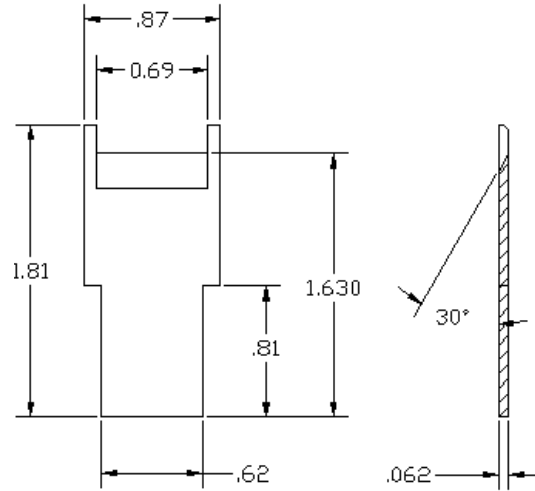
Collinear angle cut off blades

Sharp edge is ground to a flat collinear angle.

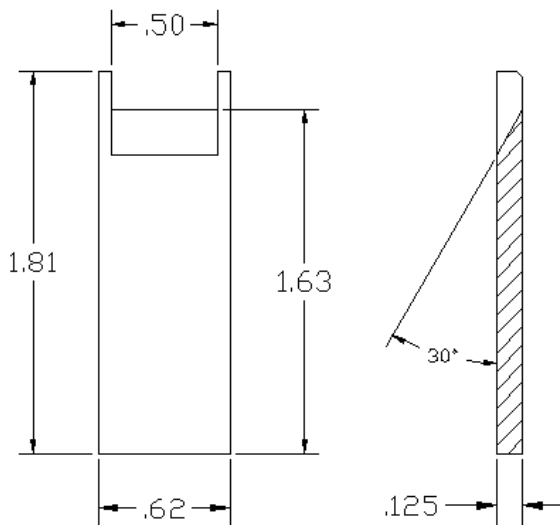
Characteristics: Sharp edges cut by shearing action. This class of blade was designed to allow multiple conductor wire to be processed without deforming the wire. The main advantage of this class is the ability to process many wire gauges with the same blades.



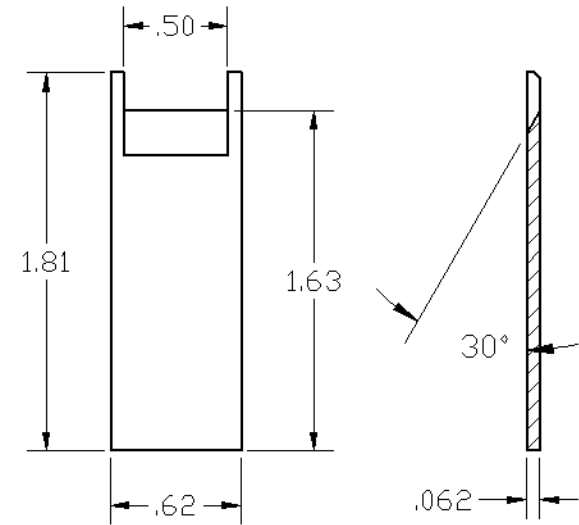
66653-9 Thick cut off blade WSCA



66653-12 Thin cut off blade WSC



66653-10 Thick cut off blade SCA

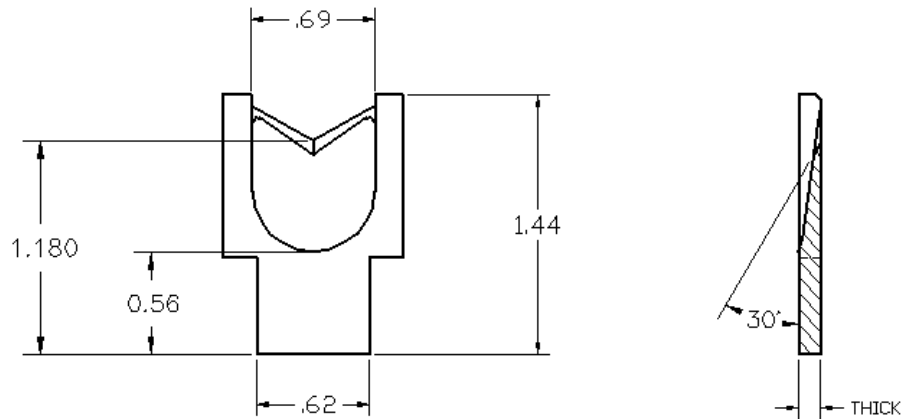


66653-13 Thin cut off blade SC

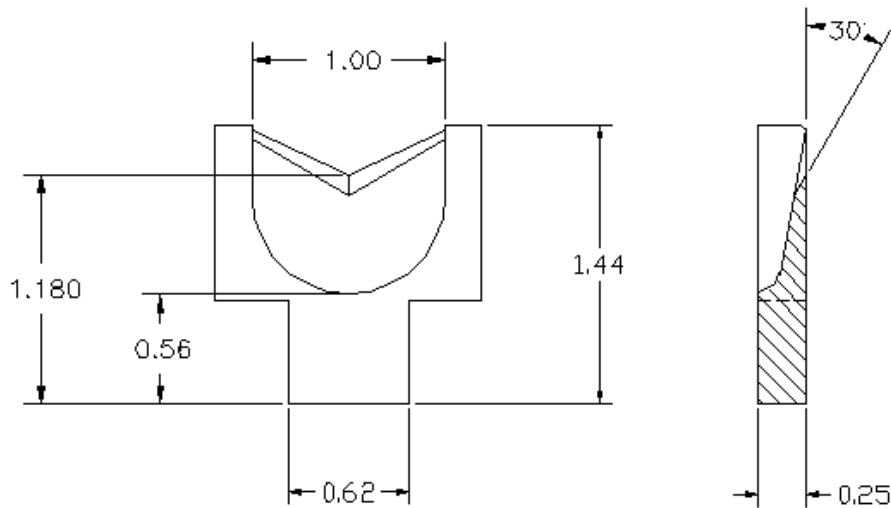
Wide entry cut off blades

The sharp edge is ground to a radius size. The entry angle lines meet the radius at a tangent point. This type of blade, presents a diamond shaped profile as it closes.

Characteristics: Sharp edges cut by slicing, creating a gradual cut. This produces less deformation of the material being cut. Cutting edges must be able to by-pass each other. This type of cut-off is best used with circular shaped wire.



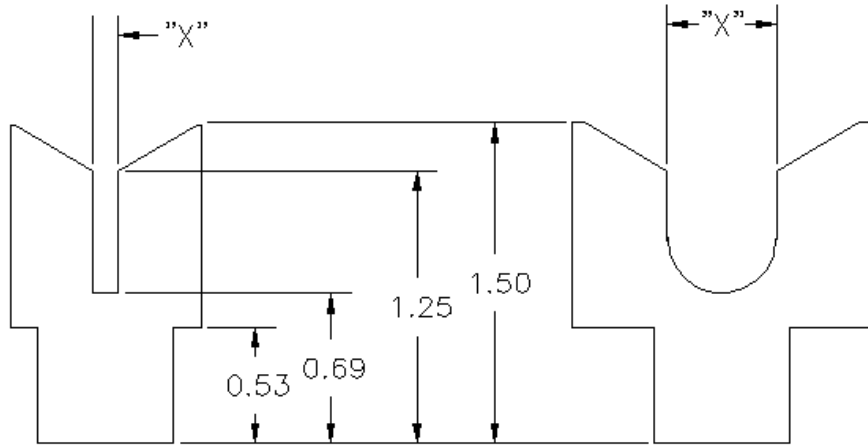
66648-1 0.125 inch (3.18mm) THICK cut off blade
 66648-2 0.188 inch (4.76mm) THICK cut off blade



66651 0.250 inch (6.35mm) THICK cut off blade

Wide guides

Wire guides are used in conjunction with cut and strip blades to precisely guide the conductor into the strip area of the blade. This will help prevent the conductor from coming in contact with the cutting edges of the strip blades, preventing premature blade wear.



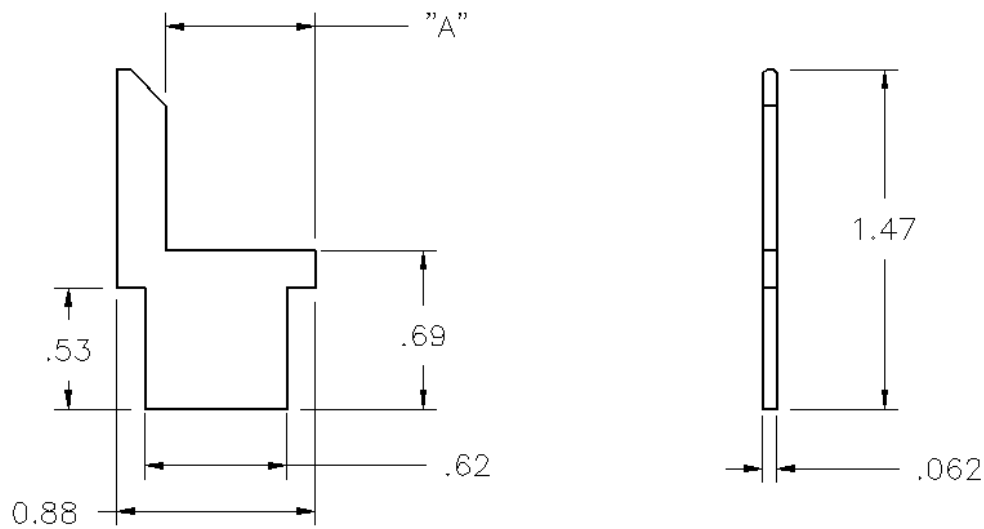
STYLE 1

1/8" THICK

STYLE 2

Part Number	X inches	X mm	Style	Part number	X inches	X mm	Style
69402-52	0.125	3.18	1	69402-8	0.500	12.70	2
69402-51	0.163	4.14	1	69402-20	0.515	13.08	2
69402-54	0.180	4.57	1	69402-27	0.531	13.49	2
69402-49	0.195	4.95	1	69402-15	0.546	13.87	2
69402-32	0.200	5.08	1	69402-33	0.570	14.48	2
69402-50	0.205	5.21	1	69402-13	0.593	15.06	2
69402-48	0.215	5.46	1	69402-22	0.610	15.49	2
69402-42	0.225	5.72	1	69402-1	0.625	15.88	2
69402-47	0.242	6.15	1	69402-10	0.640	16.26	2
69402-39	0.252	6.40	1	69402-23	0.650	16.51	2
69402-28	0.266	6.76	1	69402-16	0.670	17.02	2
69402-31	0.284	7.21	1	69402-14	0.687	17.45	2
69402-41	0.296	7.52	1	69402-26	0.703	17.86	2
69402-30	0.300	7.62	1	69402-21	0.710	18.03	2
69402-12	0.312	7.92	1	69402-11	0.720	18.29	2
69402-40	0.312	7.92	1	69402-17	0.750	19.05	2
69402-46	0.320	8.13	1	69402-38	0.780	19.81	2
69402-43	0.335	8.51	1	69402-34	0.800	20.32	2
69402-4	0.343	8.71	1	69402-55	0.810	20.57	2
69402-6	0.358	9.09	1	69402-24	0.830	21.08	2
69402-29	0.366	9.30	1	69402-36	0.845	21.46	2
69402-3	0.375	9.53	1	69402-62	0.880	22.35	2
69402-7	0.386	9.80	1	69402-56	0.925	23.50	2

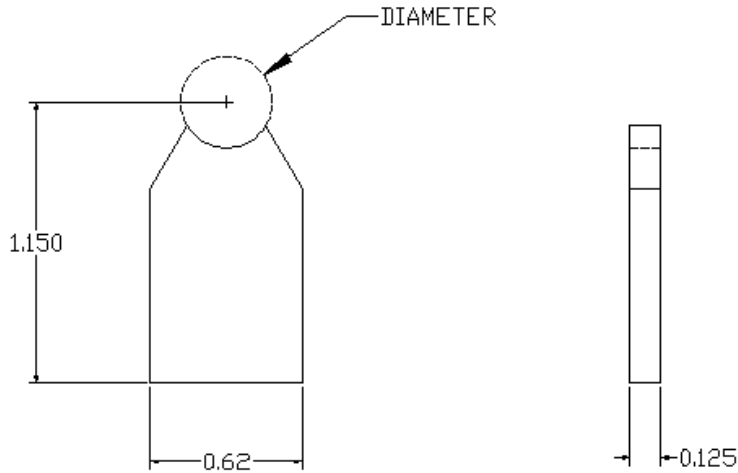
69402-4	0.400	10.16	1	69402-60	0.932	23.67	2
69402-5	0.406	10.31	1	69402-59	0.950	24.13	2
69402-37	0.415	10.54	1	69402-35	1.020	25.91	2
69402-58	0.425	10.80	1	69402-57	1.055	26.80	2
69402-2	0.437	11.10	1	69402-25	1.100	27.94	2
69402-18	0.450	11.43	1	69402-9	1.156	29.36	2
69402-19	0.468	11.89	1	69402-61	1.250	31.75	2
69402-53	0.485	12.32	1	69402-63	1.290	32.77	2
69402-45	0.490	12.45	1				



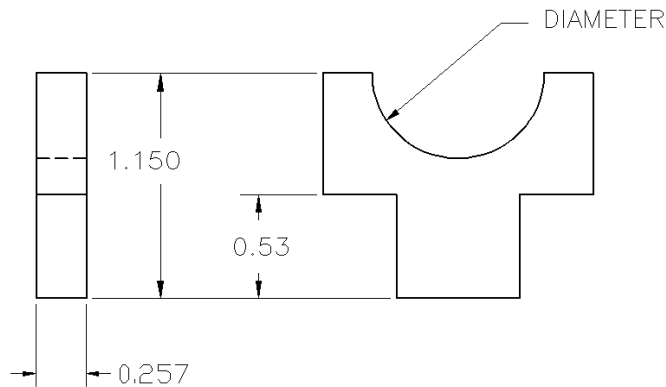
Part Number	X inches	X mm
123315-3	0.5850	14.86
123315-4	0.5925	15.05
123315-2	0.6475	16.45
122236-1	0.6625	16.83
122236-5	0.6725	17.08

Stripping depth stops.

Depth stops can be used to control the depth the blade penetrates into the wire insulation. The Diameter of the stop normally is the same diameter as the outside of the wire.



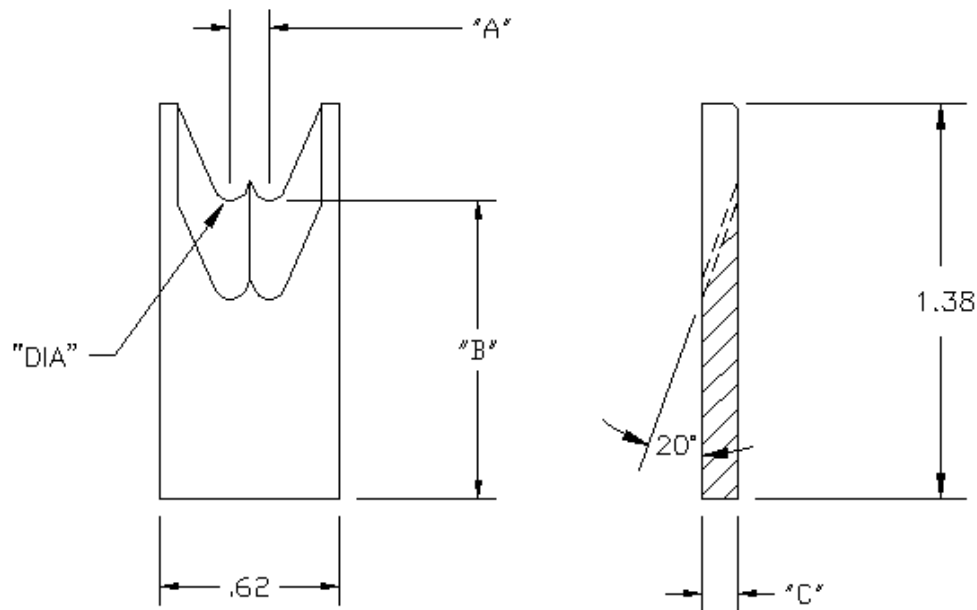
Part number	Dia. in	Dia. mm	Part number	Dia. in	Dia. mm
122045-53	0.080	2.03	122045-11	0.515	13.08
122045-54	0.098	2.49	122045-23	0.531	13.49
122045-50	0.159	4.04	122045-09	0.546	13.87
122045-55	0.177	4.50	122045-04	0.562	14.27
122045-39	0.196	4.98	122045-10	0.578	14.68
122045-20	0.213	5.41	122045-19	0.593	15.06
122045-30	0.234	5.94	122045-29	0.609	15.47
122045-26	0.256	6.50	122045-17	0.625	15.88
122045-40	0.266	6.76	122045-21	0.640	16.26
122045-46	0.266	6.76	122045-43	0.659	16.74
122045-48	0.277	7.04	122045-41	0.671	17.04
122045-13	0.281	7.14	122045-05	0.687	17.45
122045-32	0.300	7.62	122045-49	0.703	17.86
122045-25	0.312	7.92	122045-27	0.718	18.24
122045-47	0.312	7.92	122045-24	0.734	18.64
122045-51	0.328	8.33	122045-28	0.750	19.05
122045-14	0.343	8.71	122045-35	0.765	19.43
122045-03	0.359	9.12	122045-06	0.781	19.84
122045-31	0.368	9.35	122045-36	0.796	20.22
122045-01	0.375	9.53	122045-52	0.828	21.03
122045-12	0.386	9.80	122045-42	0.843	21.41
122045-15	0.406	10.31	122045-18	0.860	21.84
122045-02	0.421	10.69	122045-38	0.882	22.40
122045-16	0.437	11.10	122045-33	0.906	23.01
122045-07	0.453	11.51	122045-44	0.944	23.98
122045-34	0.468	11.89	122045-45	0.960	24.38
122045-22	0.484	12.29	122045-37	1.000	25.40
122045-08	0.500	12.70			



Part number	Dia. in	Dia. mm	Part number	Dia. in	Dia. mm
69403-2	0.374	9.50	69403-9	0.484	12.29
69403-6	0.422	10.72	69403-4	0.828	21.03
69403-3	0.436	11.07	69403-1	0.874	22.20
69403-8	0.438	11.13	69403-5	0.874	22.20
69403-7	0.454	11.53	69403-10	0.904	22.96

Tangent radius style 2 conductor stripping blades

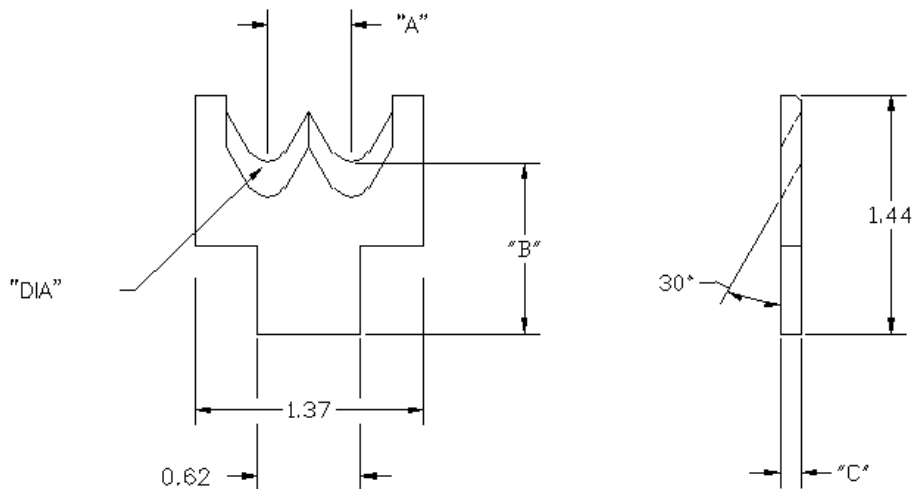
Generally these blades must be custom sized to the wire. The charts given for each blade below are given for reference and are orderable numbers. If you are unsure how to size the blade, provide a wire samples to Artos Engineering for determination of the blade sizing.



120488-xx

Item	Dia. inches	Dia. mm	"A" inches	"A" mm	"B" inches	"C" inches
------	-------------	---------	------------	--------	------------	------------

Number						
-15	0.011	0.28	0.080	2.03	1.139	0.062
-9	0.026	0.66	0.080	2.03	1.124	0.125
-13	0.026	0.66	0.087	2.21	1.124	0.125
-3	0.026	0.66	0.093	2.36	1.124	0.062
-7	0.026	0.66	0.100	2.54	1.124	0.062
-12	0.026	0.66	0.140	3.56	1.124	0.125
-4	0.031	0.79	0.110	2.79	1.119	0.062
-2	0.031	0.79	0.125	3.18	1.119	0.062
-14	0.031	0.79	0.140	3.56	1.119	0.125
-6	0.038	0.97	0.125	3.18	1.112	0.062
-8	0.048	1.22	0.140	3.56	1.102	0.125
-5	0.056	1.42	0.110	2.79	1.094	0.125
-1	0.056	1.42	0.135	3.43	1.094	0.125
-10	0.056	1.42	0.200	5.08	1.094	0.125
-11	0.078	1.98	0.140	3.56	1.072	0.125

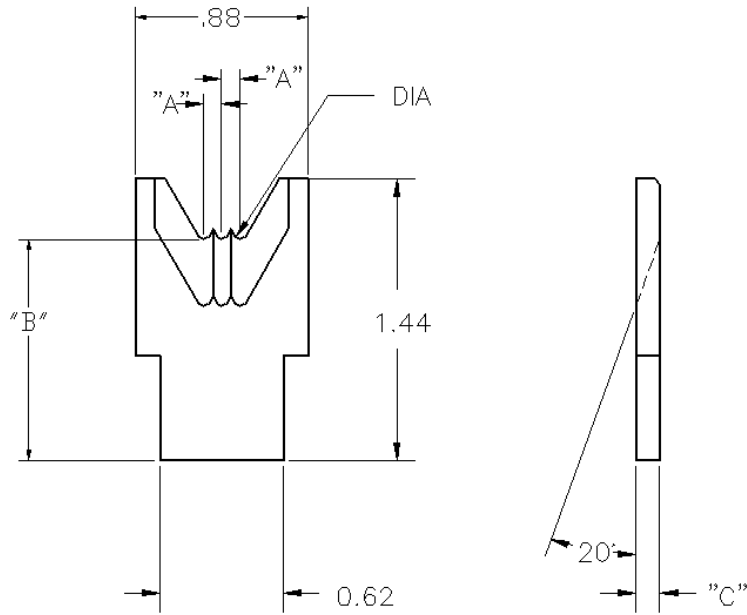


122450-xx

Item Number	Dia. inches	Dia. mm	"A" inches	"A" mm	"B" inches	"C" inches
-1	0.250	6.35	0.590	14.99	1.025	0.187
-2	0.270	6.86	0.430	10.92	1.015	0.187
-3	0.270	6.86	0.383	9.73	1.015	0.187

Tangent radius style 3 conductor stripping blades

For these blades the distance between the conductors must be equal. Generally these blades must be custom sized to the wire. The charts given for each blade below are given for reference and are orderable numbers. If you are unsure how to size the blade, provide a wire samples to Artos Engineering for determination of the blade sizing.

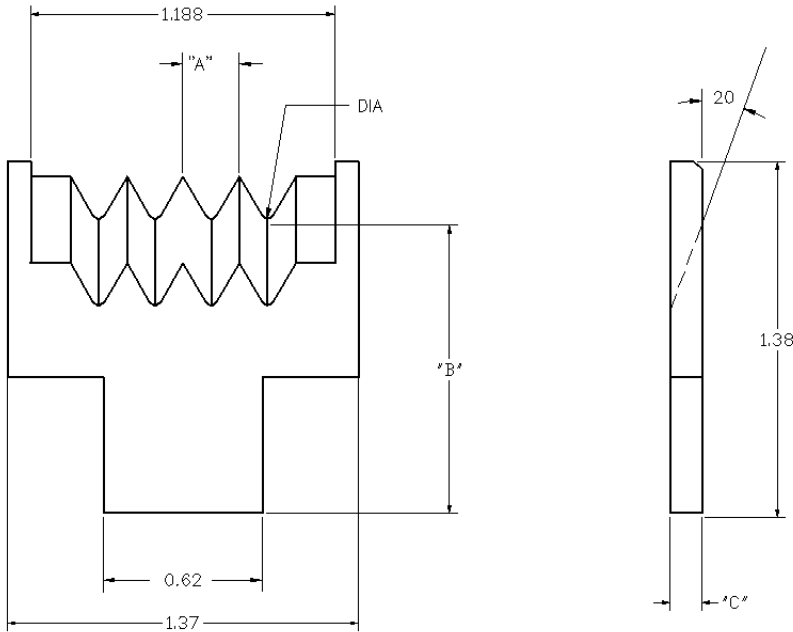


66654-xx

Item Number	Dia. inches	Dia. mm	"A" inches	"A" mm	"B" inches	"C" inches
-20	0.017	0.43	0.093	2.36	1.133	0.125
-27	0.021	0.53	0.060	1.52	1.129	0.062
-26	0.021	0.53	0.060	1.52	1.129	0.125
-24	0.026	0.66	0.093	2.36	1.124	0.062
-1	0.026	0.66	0.093	2.36	1.124	0.125
-25	0.026	0.66	0.110	2.79	1.124	0.062
-2	0.026	0.66	0.110	2.79	1.124	0.125
-3	0.026	0.66	0.125	3.18	1.124	0.125
-4	0.026	0.66	0.140	3.56	1.124	0.140
-6	0.026	0.66	0.156	3.96	1.124	0.156
-8	0.026	0.66	0.171	4.34	1.124	0.171
-10	0.026	0.66	0.187	4.75	1.124	0.187
-21	0.031	0.79	0.104	2.64	1.119	0.125
-23	0.031	0.79	0.125	3.18	1.119	0.125
-22	0.038	0.97	0.115	2.92	1.133	0.125
-19	0.038	0.97	0.140	3.56	1.112	0.125
-13	0.048	1.22	0.125	3.18	1.110	0.125
-15	0.048	1.22	0.125	3.18	1.110	0.125
-14	0.048	1.22	0.140	3.56	1.110	0.125
-5	0.048	1.22	0.140	3.56	1.110	0.125
-7	0.048	1.22	0.156	3.96	1.110	0.125
-9	0.048	1.22	0.171	4.34	1.110	0.125
-11	0.048	1.22	0.187	4.75	1.110	0.125
-12	0.056	1.42	0.187	4.75	1.093	0.125
-13	0.056	1.42	0.187	4.75	1.093	0.125
-17	0.056	1.42	0.200	5.08	1.093	0.125
-16	0.062	1.57	0.160	4.06	1.088	0.125

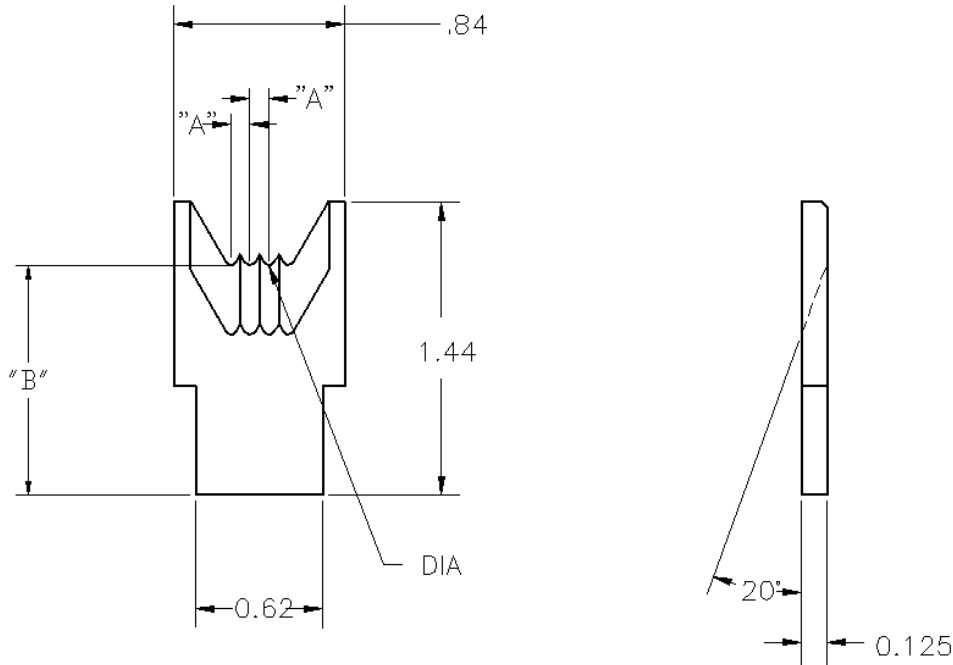
Tangent radius style 4 conductor stripping blades

For these blades the distance between the conductors must be equal. Generally these blades must be custom sized to the wire. The charts given for each blade below are given for reference and are orderable numbers. If you are unsure how to size the blade, provide a wire samples to Artos Engineering for determination of the blade sizing.



66654-xx

Item Number	Dia. inches	Dia. mm	"A" inches	"A" mm	"B" inches	"C" inches
-2	0.023	0.58	0.220	5.59	1.127	0.062
-1	0.023	0.58	0.220	5.59	1.127	0.125



86766-xx

Item Number	Dia. inches	Dia. mm	"A" inches	"A" mm	"B" inches
-1	0.026	0.66	0.093	2.36	1.124
-2	0.026	0.66	0.110	2.79	1.124
-3	0.026	0.66	0.125	3.18	1.124
-6	0.026	0.66	0.140	3.56	1.124
-8	0.026	0.66	0.156	3.96	1.124
-11	0.038	0.97	0.118	3.00	1.112
-4	0.038	0.97	0.125	3.18	1.102
-12	0.038	0.97	0.140	3.56	1.112
-9	0.038	0.97	0.156	3.96	1.102
-7	0.048	1.22	0.140	3.56	1.102
-5	0.056	1.42	0.125	3.18	1.093
-10	0.086	2.18	0.140	3.56	1.078

Flat cable stripping blades

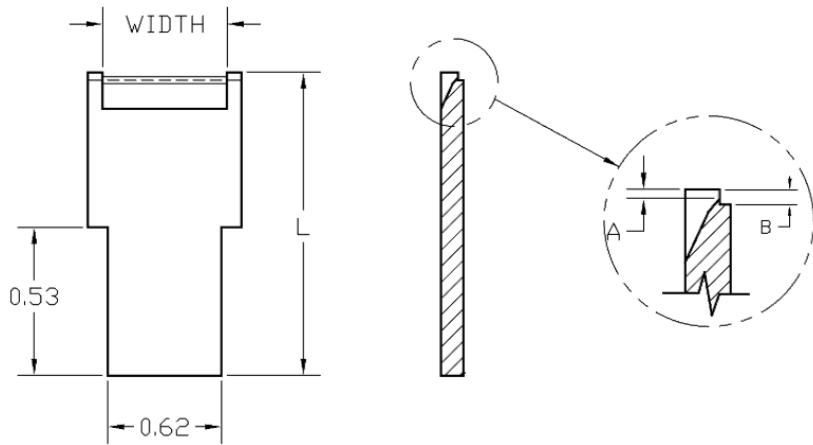
Flat cable stripping blades are for multi-conductor cable. This blade relies on tearing the insulation that is between the conductors. These will not work well for difficult insulation. These are butt style blades

SIZING NOTE: The dimensions listed below are the exact size of the blade. When selecting a blade, select a core diameter size that is 0.002 to 0.005 inches larger than your actual wire core diameter. Select an insulation diameter -.002 to .004 larger than your actual insulation diameter.

In the drawing below

$A = 1/2(\text{core diameter})$

$B = 1/2(\text{insulation diameter})$

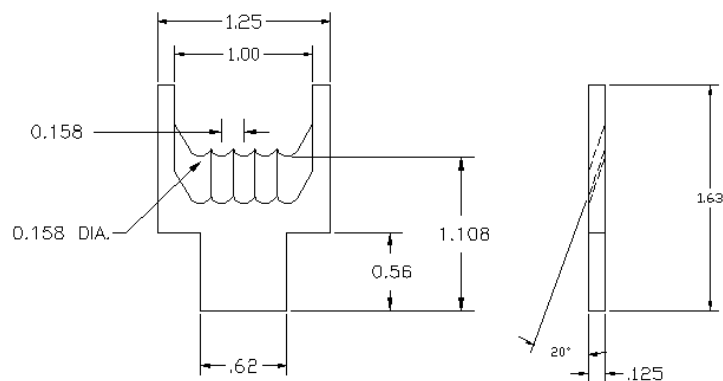


41647-xxx

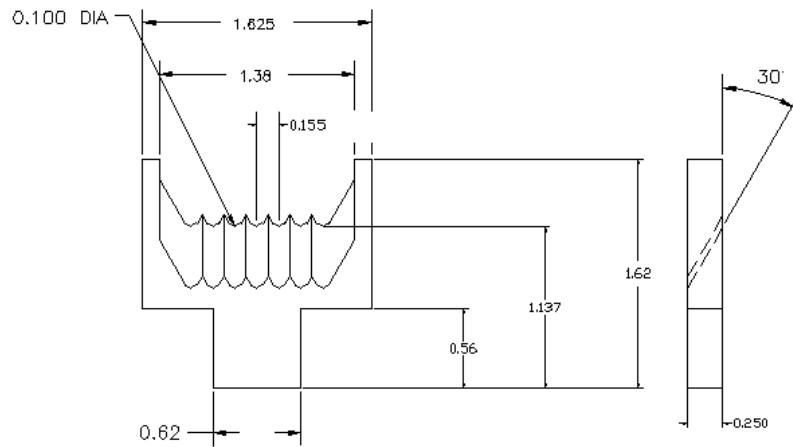
Blade	Width, inches	Width, mm	Insulation Dia. inch	Insulation Dia. mm	Core Dia. inch	Core Dia. mm	Length inches	Length mm
-211	0.665	16.89	0.220	5.59	0.128	3.25	1.187	30.15
-126	0.687	17.45	0.038	0.97	0.016	0.41	1.187	30.15
-84	0.687	17.45	0.040	1.02	0.020	0.51	1.187	30.15
-162	0.687	17.45	0.040	1.02	0.020	0.51	1.187	30.15
-48	0.687	17.45	0.040	1.02	0.018	0.46	1.150	29.21
-71	0.687	17.45	0.052	1.32	0.020	0.51	1.187	30.15
-68	0.687	17.45	0.052	1.32	0.032	0.81	1.187	30.15
-37	0.687	17.45	0.056	1.42	0.026	0.66	1.150	29.21
-33	0.687	17.45	0.060	1.52	0.030	0.76	1.150	29.21
-69	0.687	17.45	0.062	1.57	0.032	0.81	1.187	30.15
-96	0.687	17.45	0.062	1.57	0.040	1.02	1.187	30.15
-175	0.687	17.45	0.070	1.78	0.032	0.81	1.187	30.15
-81	0.687	17.45	0.084	2.13	0.016	0.41	1.187	30.15
-82	0.687	17.45	0.084	2.13	0.040	1.02	1.187	30.15
-127	0.687	17.45	0.090	2.29	0.038	0.97	1.187	30.15
-67	0.687	17.45	0.092	2.34	0.032	0.81	1.187	30.15
-129	0.687	17.45	0.092	2.34	0.046	1.17	1.187	30.15
-61	0.687	17.45	0.100	2.54	0.040	1.02	1.150	29.21
-27	0.687	17.45	0.110	2.79	0.050	1.27	1.187	30.15
-70	0.687	17.45	0.110	2.79	0.046	1.17	1.187	30.15
-195	0.687	17.45	0.116	2.95	0.028	0.71	1.187	30.15
-196	0.687	17.45	0.120	3.05	0.058	1.47	1.187	30.15
-28	0.687	17.45	0.124	3.15	0.060	1.52	1.187	30.15
-47	0.687	17.45	0.124	3.15	0.076	1.93	1.150	29.21
-118	0.687	17.45	0.124	3.15	0.064	1.63	1.187	30.15
-38	0.687	17.45	0.130	3.30	0.070	1.78	1.150	29.21

-143	0.687	17.45	0.130	3.30	0.078	1.98	1.187	30.15
-169	0.687	17.45	0.134	3.40	0.082	2.08	1.187	30.15
-133	0.687	17.45	0.140	3.56	0.090	2.29	1.187	30.15
-197	0.687	17.45	0.146	3.71	0.078	1.98	1.187	30.15
-132	0.687	17.45	0.150	3.81	0.090	2.29	1.187	30.15
-134	0.687	17.45	0.166	4.22	0.070	1.78	1.187	30.15
-39	0.687	17.45	0.170	4.32	0.086	2.18	1.150	29.21
-42	0.687	17.45	0.170	4.32	0.040	1.02	1.150	29.21
-60	0.687	17.45	0.234	5.94	0.156	3.96	1.150	29.21
-215	0.710	18.03	0.042	1.07	0.020	0.51	1.187	30.15
-212	0.795	20.19	0.050	1.27	0.030	0.76	1.187	30.15
-137	0.810	20.57	0.090	2.29	0.042	1.07	1.187	30.15
-30	0.896	22.76	0.034	0.86	0.016	0.41	1.150	29.21
-24	1.560	39.62	0.028	0.71	0.006	0.15	1.187	30.15
-115	1.560	39.62	0.036	0.91	0.016	0.41	1.187	30.15
-43	1.560	39.62	0.134	3.40	0.042	1.07	1.150	29.21
-55	1.560	39.62	0.170	4.32	0.040	1.02	1.150	29.21

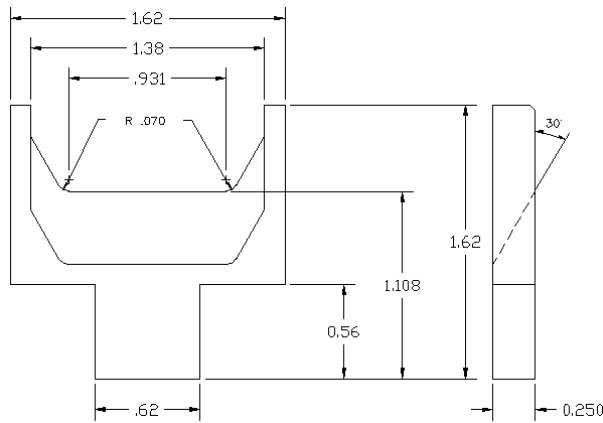
Custom multi-conductor strip blades



64340 5 Conductor strip blade



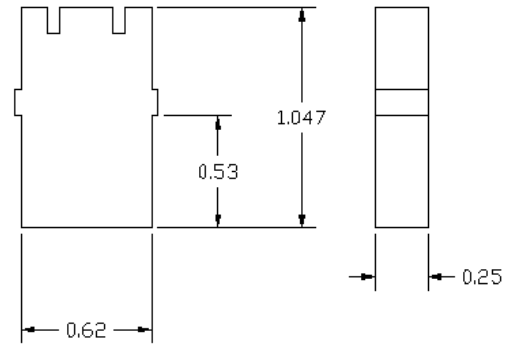
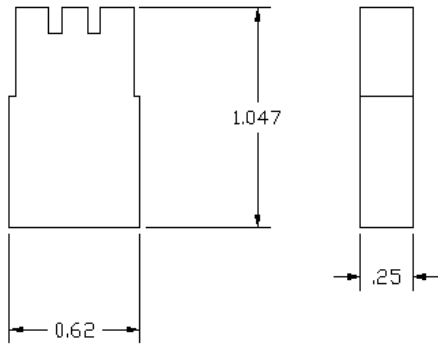
83697 7 Conductor strip blade



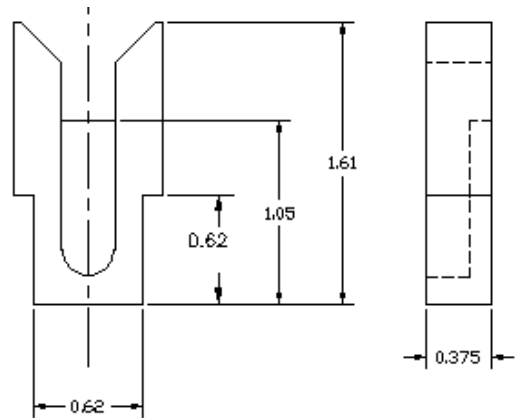
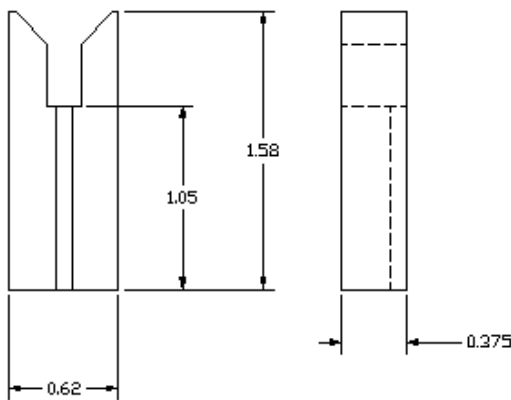
83698 Multi-Conductor strip blade

Slitting blade holders and pushers.

There are slitting blocks and pushers available for a wide variety of multi-conductor wires. These parts are basically the CS-6 slitter parts that are cut down to work in an AM-2 (see sketches below). For dimensional details refer to document "Slitting blocks and pushers CS-6,9,26,26 etc.pdf". For ordering these parts provide Artos with the wire information and/or if you saw a slitting block / pusher combination in the CS-6 document please provide the part numbers. Using this information Artos will determine an AM-2 ordering number and cost.



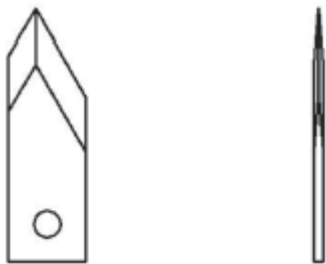
Modification of narrow and wide slitting blade holders.



Modification of narrow and wide pusher blocks

5-120485-xx Ordering number for AM-2 blade holder and pusher set for 2 conductor wire

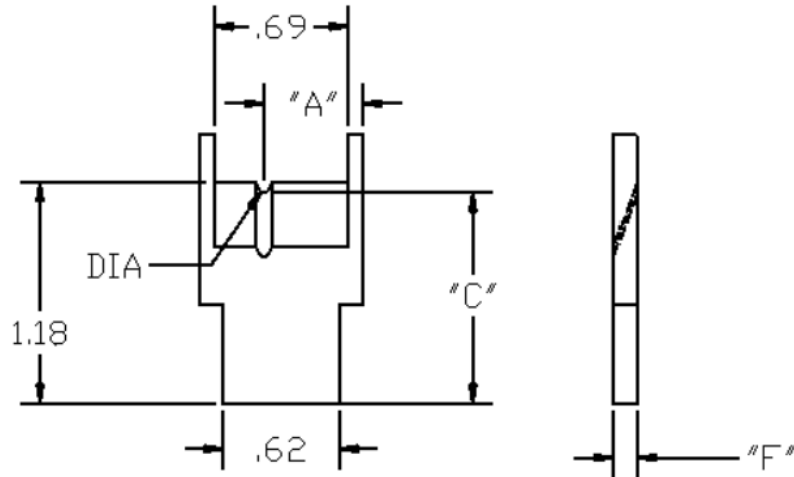
5-120497-xx Ordering number for AM-2 blade holder and pusher set for 3 conductor wire



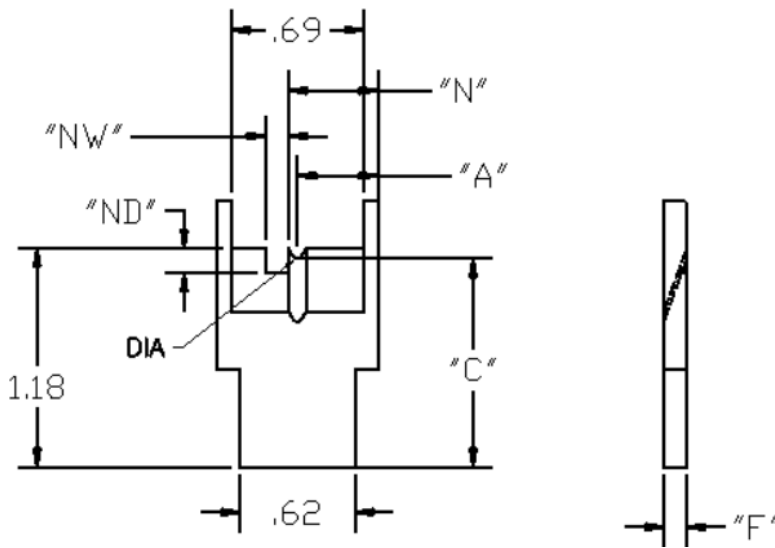
H-22896 Slitter blade

Stripping / Cutting blades.

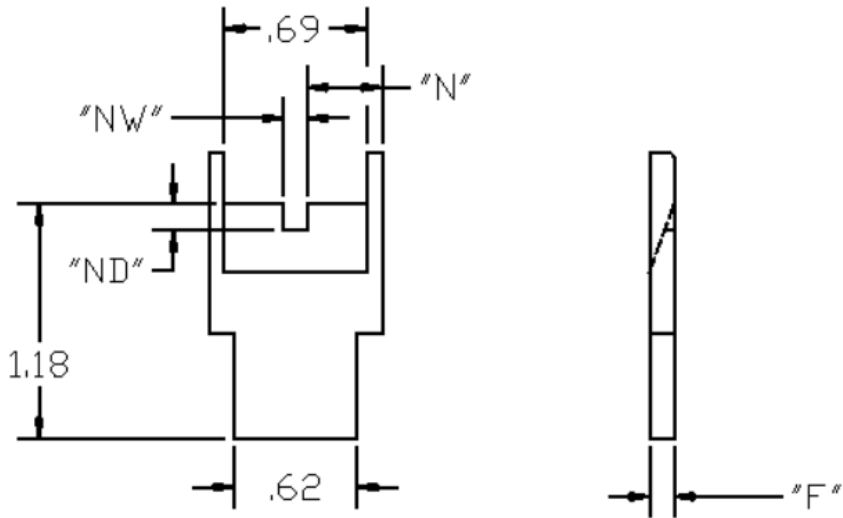
These blades are for stagger stripping or stagger cutting.



Item Number	Dia. inches	"A" inches	"C" inches	"F" inches
-1	0.026	0.530	1.124	0.125
-2	0.026	0.530	1.124	0.062



Item Number	"A" inches	"N" inches	DIA inches	"F" inches	"N" inches	"ND" inches	"NW" inches
-3	0.437	1.124	0.026	0.125	0.485	0.135	0.125
-4	0.437	1.124	0.026	0.062	0.485	0.135	0.125



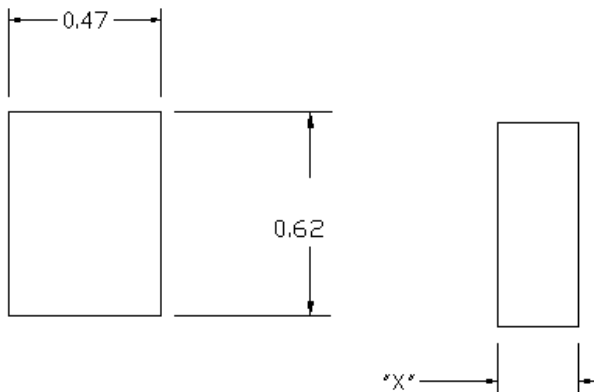
Item Number	"F" inches	"N" inches	"ND" inches	"NW" inches
-5	0.125	0.375	0.135	0.125
-6	0.062	0.375	0.135	0.125
-7	0.062	0.317	0.120	0.120

Variable spacers

The wire end strip dimension is obtained by physically inserting spacers of different thickness in-between the blade bodies. The assembly is then held in place by fastening devices.

This system involves measurement calculations in order to figure the correct spacer-blade combinations. Because of its inherent cumbersome nature, it is highly recommended that this setup be performed in anticipation to a scheduled production run.

To optimize equipment productivity, it is a good idea to have several sets of pre-assembled blade mounts ready for production schedules.



Part Number	X inches	X mm
120145-1	0.0310	0.787
120145-2	0.0620	1.575
120145-3	0.1245	3.162
120145-4	0.2500	6.350
120145-5	0.5000	12.70
120145-6	1.0000	25.40