

CD-19 CR11 Coiling System

REV 04/28/2015

Mechanical

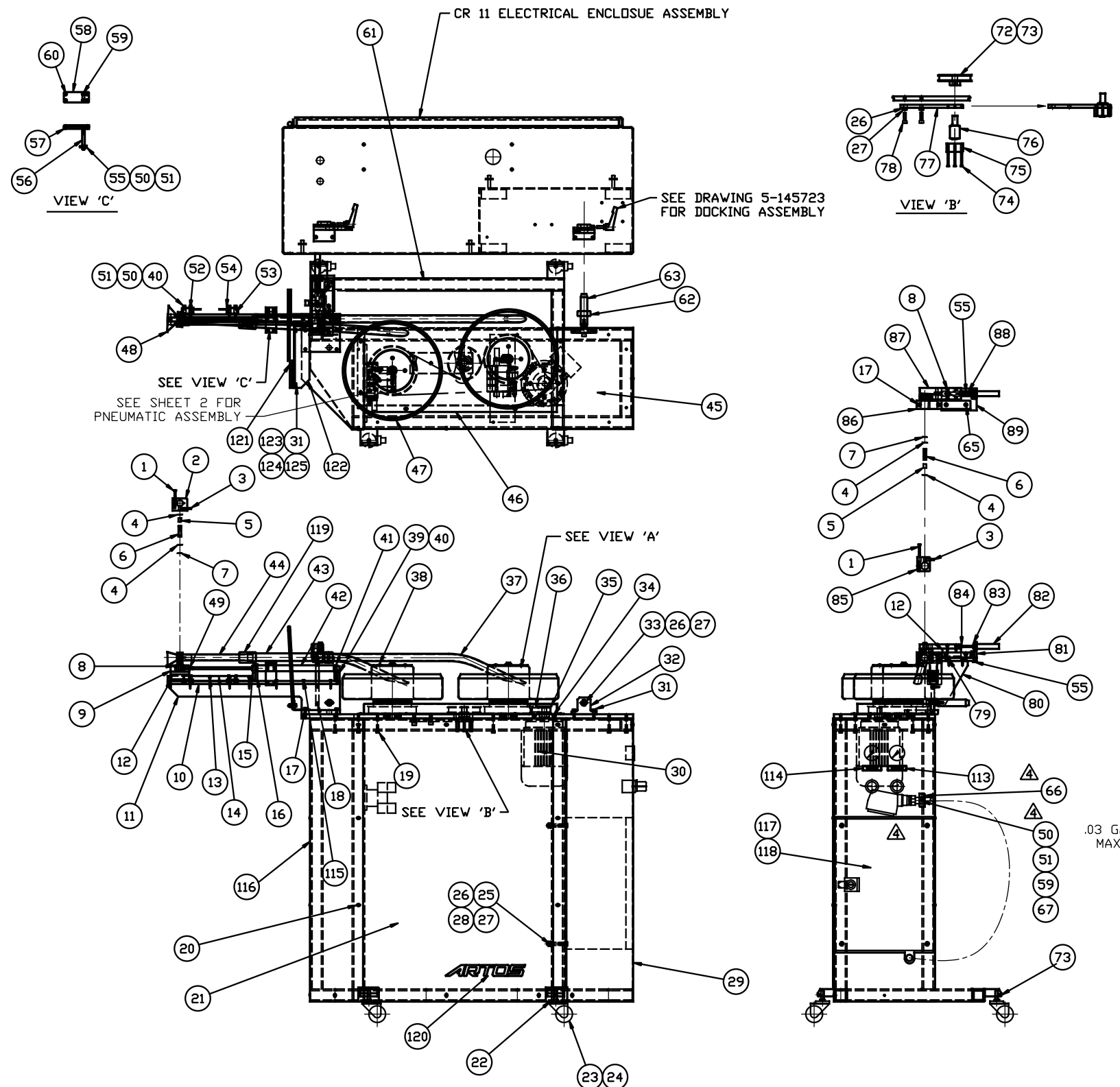
- 2 4-145600 Main Assembly
- 4 • 5-140370 Brake Pad Assembly
- 5 • 5-140638 Drive Pulley and Pad

Electrical

- 7 5-145706 Main Electrical Assembly
- 9 7-145705 Electrical Schematic

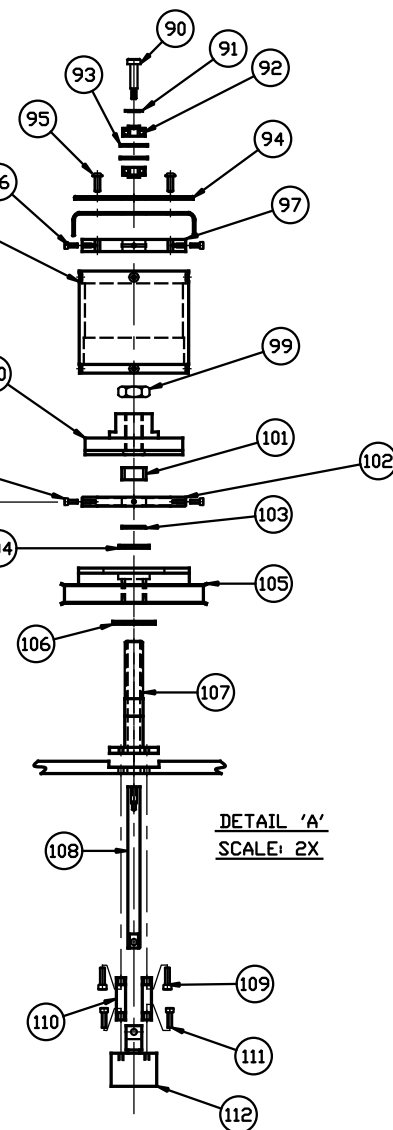
Interface

- 12 5-145723 CR11 Receptacle and Docking Parts for CD19 and CD20



.03 GAP MAX.

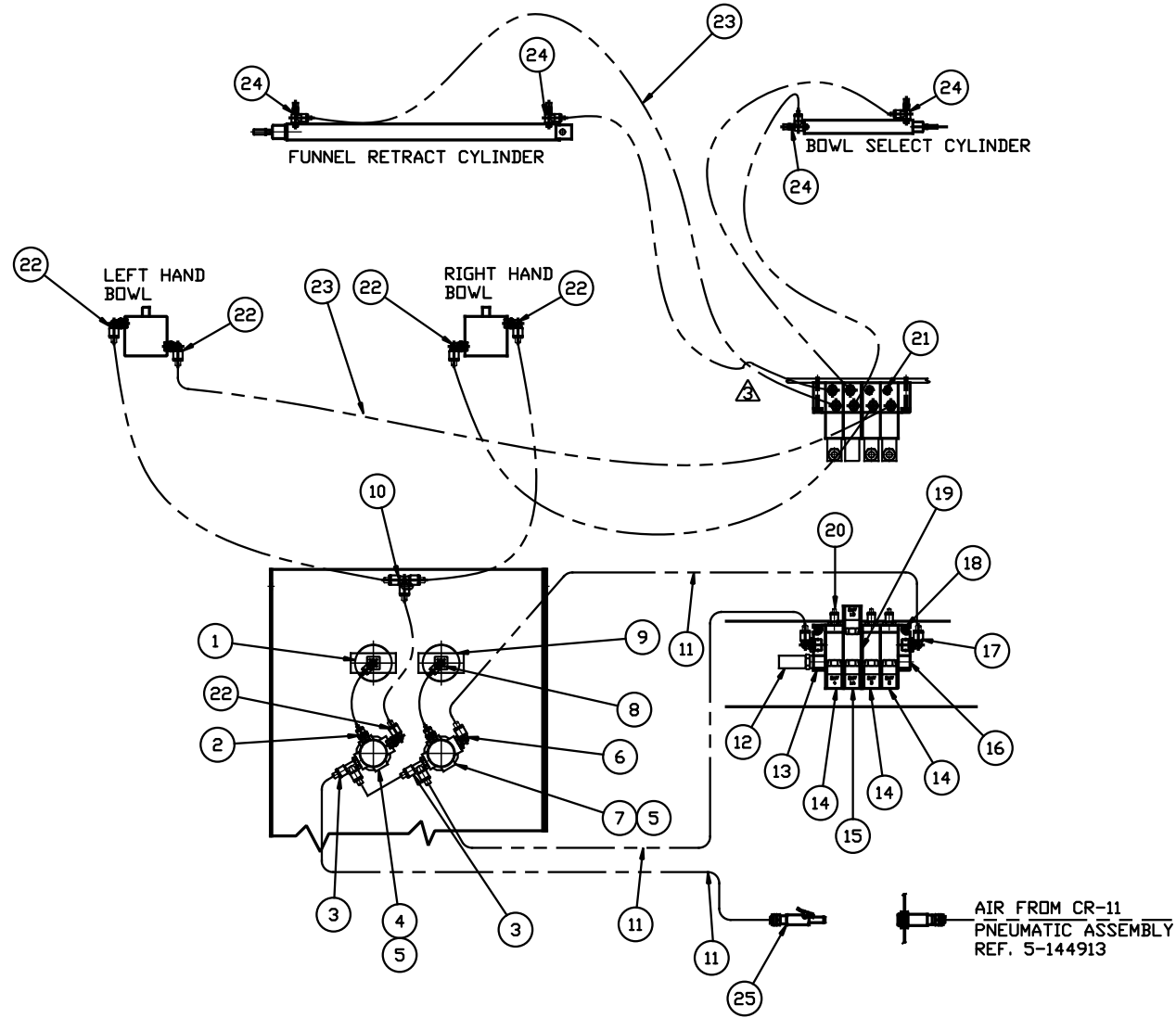
QTY.	REF. NO.	PART NO.	DESCRIPTION
2	1090	950-150	SCREW SHC SHOUL. M6X8X25
2	1091	903-883	WASHER FLAT M8
4	1092	907-930	BEARING BALL
4	1093	907-960	RING, RETAINING
2	1094	83183	PLATE
8	1095	950-896	SCREW BSHC M6X16
16	1096	950-284	SCREW SHC M4X10
2	1097	81540	SUPPORT, BOWL UPPER
2	1098	81529	DRUM
2	1099	907-961	NUT HEX JAM .75-10 LN
2	1100	5-140370	PAD, BRAKE ASSEMBLY LH
2	1101	902-191	BEARING SL
2	1102	81539	DISC BRAKE
2	1103	902-854	RING, RETAINING
2	1104	901-420	BEARING, TH
2	1105	5-140368	PULLEY ASSEMBLY
2	1106	901-573	BEARING TH
2	1107	145386	SHAFT, BRAKE PAD LH
2	1108	81544	SHAFT
8	1109	950-051	SCREW SHC M5X20
4	1110	81546	SPACER, CYLINDER
2	1111	907-277	SCREW SHC #10-24X.63
2	1112	907-935	AIR CYLINDER
1	1113	137891-1	LABEL - CLUTCH PRESSURE
1	1114	143817	LABEL - BRAKE PRESSURE
3	1115	950-395	SCREW SHC M4X25
1	1116	146059	PANEL, SIDE LH
1	1117	5-145706	ENCLDSURE ASSEMBLY
1	1118	7-145705	ELECTRIAL SCHEMATIC
1	1119	145817	SLEEVE
1	1120	120095	LABEL 'ARTOS' - GREY
1	1121	146060	GUARD
1	1122	146061	BRACKET, GUARD
2	1123	950-057	WASHER FLAT M6
2	1124	952-428	WASHER LOCK M6
2	1125	917-941	NUT LOCK M6



QTY.	REF. NO.	PART NO.	DESCRIPTION
2	1001	950-023	SCREW SHC M5X16
1	1002	145597	CLAMP, TUBE SMALL
2	1003	950-493	SCREW SC SET M6X10
4	1004	918-607	BEARING TH 0815-015
2	1005	918-608	BEARING SL 8X10X12
2	1006	145589	PIN, PIVOT
2	1007	956-230	E-RING E-7
8	1008	952-674	SCREW SHC M4X18
1	1009	145594	BLOCK, SLIDE
1	1010	145583	SUPPORT, RAIL
1	1011	145582	SUPPORT, GUIDE TUBE
2	1012	918-598	BLOCK LM
5	1013	952-262	SCREW SHC M4X30
1	1014	145593	RAIL LONG
1	1015	918-602	NUT MN-2
1	1016	145601	SUPPORT, CYLINDER
6	1017	950-114	SCREW SHC M6X25
5	1018	916-498	SCREW SHC M5X18
12	1019	950-732	SCREW SHC M6X50
27	1020	956-319	SCREW SHC BUTT M5X8
1	1021	146058	PANEL, FRONT
4	1022	950-755	NUT JAM M10
4	1023	918-438	CASTER
4	1024	950-388	SCREW SHC M10X35
4	1025	952-380	SCREW SHC M8X60
6	1026	950-025	WASHER FLAT M8
6	1027	952-379	WASHER LOCK M8
4	1028	950-016	NUT HEX M8
1	1029	145612	PANEL, SIDE RH
1	1030	916-931	MOTOR
4	1031	950-113	SCREW SHC M6X20
1	1032	145617	BLOCK, DOCKING SHAFT
2	1033	950-874	SCREW SHC M8X30
4	1034	950-038	SCREW SHC M6X12
1	1035	918-606	PULLEY
1	1036	918-657	BELT, TIMING
1	1037	145606	TUBE, GUIDE LONG
1	1038	145607	TUBE, GUIDE SHORT
1	1039	145615	PIVOT, BLOCK
6	1040	950-125	SCREW SHC M5X30
1	1041	918-706	SCREW SH SHOULD M5X6X12
1	1042	918-655	AIR CYLINDER
1	1043	145599	TUBE, OUTER GUIDE
1	1044	145598	TUBE, INNER GUIDE
1	1045	145581	PLATE, TOP
1	1046	145613	GUARD, BELT
2	1047	81521-1	BOWL Ø12.0
1	1048	145374	FUNNEL
1	1049	952-071	NUT JAM M6
5	1051	952-325	WASHER LOCK M5
2	1052	145461	BRACKET, SENSOR MOUNTING
4	1053	918-400	SCREW SHC M3X14
2	1054	917-203	SENSOR NPN
2	1055	916-498	SCREW SHC M5X18
1	1056	145604	PLATE, MOUNTING
1	1057	145603	PLATE, STRIP MOUNTING
1	1058	145602	STRIP, WARE
3	1059	906-233	SCREW SFH M5X12
2	1060	950-375	SCREW SFH M4X12
1	1061	145610	FRAME, WELDMENT
2	1062	916-770	COLLAR
2	1063	145388	SHAFT, DOCKING
1064			
2	1065	950-066	SCREW SHC M6X18
1	1066	918-844	TOOL HOLDER
1	1067	950-027	NUT HEX M5
1068			
1069			
1070			
1071			
1	1072	145614	PULLEY, TAKE-UP
5	1073	950-493	SCREW SH SET M6X10
4	1074	950-871	SCREW SHC M5X35
1	1075	81537	HOUSING, BEARING
1	1076	81548	BEARING, IDLER
1	1077	81527	PLATE, IDLER PULLEY
2	1078	950-495	SCREW SHC M8X25
2	1079	950-047	SCREW SHC M5X12
1	1080	145584	BRACKET, SUPPORT
1	1081	145586	BRACKET, CYLINDER
1	1082	918-656	AIR CYLINDER
1	1083	918-604	NUT MN-1
1	1084	956-081	NUT JAM M4
1	1085	145588	CLAMP, TUBE LARGE
1	1086	145590	CLAMP, TUBE DISCHARGE
1	1087	145587	BLOCK, SLIDE
1	1088	145591	RAIL, SHORT
1	1089	145585	RAIL SUPPRDT

4-145600	HEAT TREATMENT/SURFACE TREATMENT	MATERIAL DESCRIPTION	USED FOR	
	CONFIDENTIAL	SEE B.O.M.	9-CR11999000	
	WORK TO MEAN DIMENSIONS DO NOT SCALE DRAWING	ARTOS ENGINEERING COMPANY	CLASS CODE CD19	
	ES-1 STANDARDS APPLY PLEASE READ THEM BEFORE MFG.	COILING BOWL ASSEMBLY CD19 Ø12.0 BOWLS CR11 MAIN ASSEMBLY	REVISION DATE 04/27/2015	
	DRAWN BY LALUMONDIER	SCALE 1:8	REVISION 4	
	CHECKED BY 04/07/2011	DATE	4-145600	SHEET NUMBER 1 of 2

REVISIONS
△ ECD 12-25 2/29/2012 LALUMONDIER
△ ECD 12-45 3/16/2012 LALUMONDIER
△ ECD 12-84 4/20/2012 LALUMONDIER
△ ECD 12-180 9/18/2012 LALUMONDIER



△(60 in.)

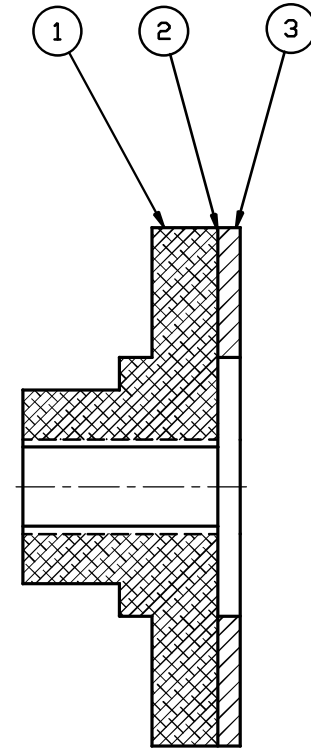
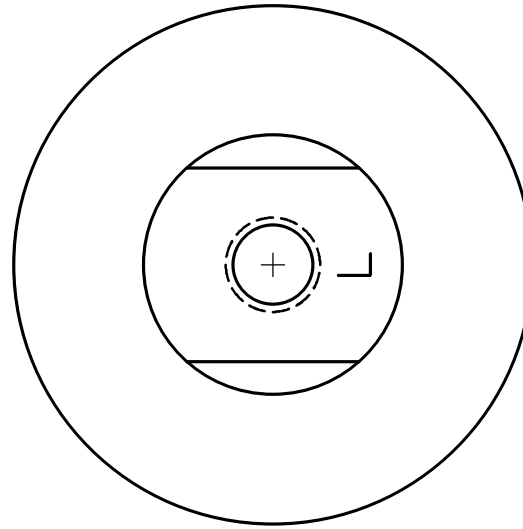
△(60 in.)

QTY.	REF. NO.	PART NO.	DESCRIPTION
1	2001	916-556	GAGE 0-60 PSIG
8	2002	915-263	FITTING STR 4TX1/8
2	2003	917-015	FITTING TEE RUN 6TX1/8
1	2004	916-555	REGULATOR
2	2005	900-647	NUT, REGULATOR
1	2006	915-233	FITTING ELBOW 6TX1/8
1	2007	904-011	REGULATOR
2	2008	916-552	FITTING ELBOW 4TXM5
1	2009	906-020	GAGE 0-100 PSIG
1	2010	915-283	TEE 4mm
5ft.	2011	603-522	TUBING 6mm
1	2012	916-564	MUFFLER
1	2013	916-560	END PLATE KIT MAC
3	2014	916-561	VALVE MAC SINGLE
1	2015	916-563	VALVE MAC DOUBLE
1	2016	900-452	PLUG 1/4
2	2017	915-234	FITTING ELBOW 6TX1/4
2	2018	950-774	SCREW SHC M5X40
1	2019	918-225	PLATE, INLET ISOLATION
1	2020	918-414	FITTING TEE RUN 6TX1/4
2	2021	915-253	PLUG 1/8
5	2022	915-232	FITTING ELBOW 4TX1/8
5ft.	2023	915-141	TUBING 4mm
4	2024	916-554	FLOW CONTROL VALVE
1	2025	912-522	COUPLING

REVISIONS
△ ECO 12-25 2/29/2012 LALUMONDIER
△ ECO 12-45 2/16/2012 LALUMONDIER
△ ECO 12-84 4/20/2012 LALUMONDIER
△ ECO 12-180 9/18/2012 LALUMONDIER

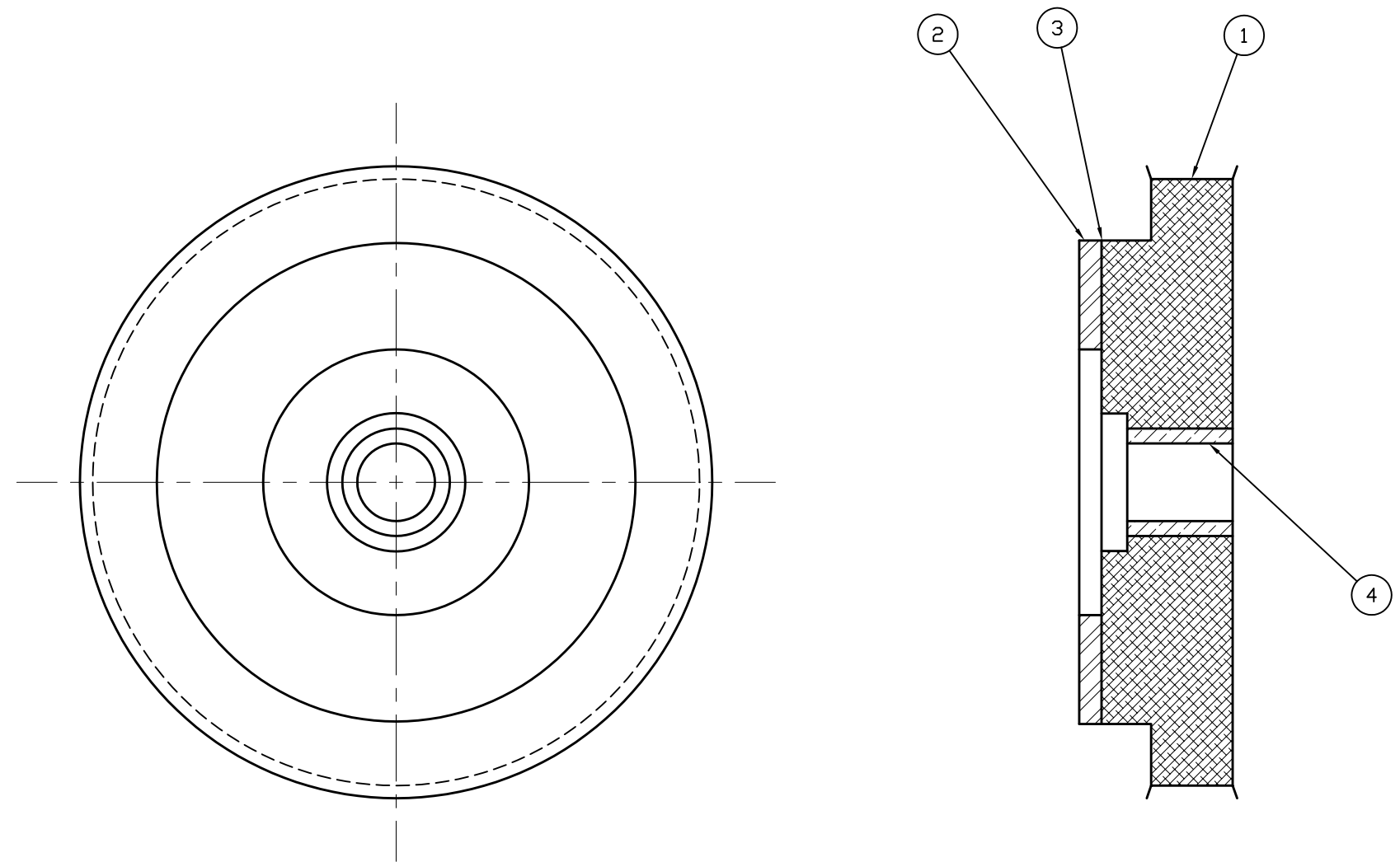
4-145600	HEAT TREATMENT/SURFACE TREATMENT	MATERIAL DESCRIPTION	USED FOR		
		SEE B.O.M.	9-CR11999000		
	CONFIDENTIAL <small>This document contains confidential information which shall not be used, reproduced, or disclosed to others without prior written approval of Arise Engineering Company.</small>	D			CLASS CODE CD19
	WORK TO MEAN DIMENSIONS DO NOT SCALE DRAWING	ES-1 STANDARDS APPLY PLEASE READ THEM BEFORE MFG.	DRAWN BY: LALUMONDIER CHECKED BY: [] DATE: 04/12/2011 SCALE: 1:4 REVISING NO.: []		REVISION DATE: 04/27/15 REVISION: 4 SHEET NUMBER: 2 of 2

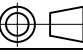

QTY.	REF. NO.	PART NO.	DESCRIPTION
1	1	137799	PAD, BRAKE LH
REF	2	-	LOCTITE U-05FL URETHANE ADHESIVE
1	3	81536	PAD, BRAKE
	4		
	5		

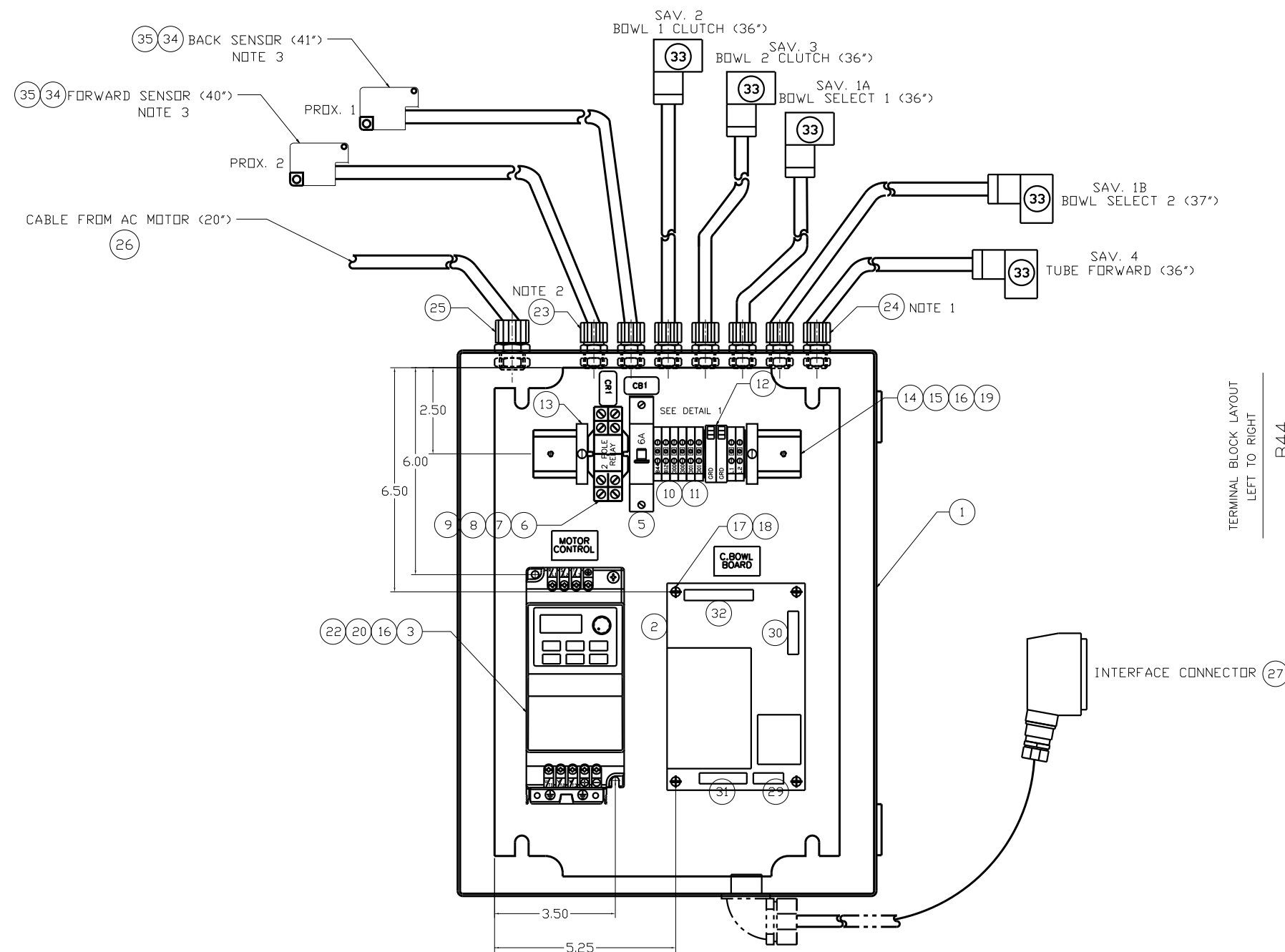


5-140370	HEAT TREATMENT/SURFACE TREATMENT		MATERIAL DESCRIPTION	USED FOR		
			SEE BOM	4-137775		
	CONFIDENTIAL <small>This document contains CONFIDENTIAL proprietary information which shall not be used, reproduced, or disclosed to others without prior written approval of Artos Engineering Company.</small>		C			CLASS CODE
	WORK TO MEAN DIMENSIONS DO NOT SCALE DRAWING			PAD, BRAKE ASSY LH COILING BOWL		326
	ES-1 STANDARDS APPLY PLEASE READ THEM BEFORE MFG.		DRAWN BY WOLLERMANN	SCALE 1:1	CHECKED BY R. SIMMONS/	DATE 01/23/2001
		5-140370		1 of 1		

QTY.	REF. NO.	PART NO.	DESCRIPTION
1	1	81530-500	PULLEY ASSY
1	2	81532	PLATE, DRIVE
REF	3	9xx-xxx	3M 2216B/A EPOXYADHESIVE
1	4	902-726	BEARING, SL
	5		
	6		
	7		
	8		



5-140368	HEAT TREATMENT/SURFACE TREATMENT		MATERIAL DESCRIPTION	USED FOR		
			SEE BOM	4-137775		
	CONFIDENTIAL <small>This document contains CONFIDENTIAL proprietary information which shall not be used, reproduced, or disclosed to others without prior written approval of Artos Engineering Company.</small>		C			CLASS CODE 326
	WORK TO MEAN DIMENSIONS DO NOT SCALE DRAWING		PULLEY, DRIVE ASSY COILING BOWL			REVISION DATE 02/01/01
	ES-1 STANDARDS APPLY PLEASE READ THEM BEFORE MFG.		DRAWN BY WOLLERMANN	SCALE 1:1	CHECKED BY R. SIMMONS/	SHEET NUMBER 1 of 1



QTY.	REF.	PART NO.	DESCRIPTION
1	1001	145708	ENCLOSURE 16X12X8
1	1002	5-137860	C/B CONTROL BOARD
1	1003	5-145475	DELTA DRIVE
1	1004		
1	1005	918-380	CRT. BREAKER, 6A, 1PL
1	1006	906-610	RELAY, 2P2T 24VDC COIL
1	1007	907-016	RELAY SOCKET
2	1008	917-000	RELAY HOLD-DOWN CLIP
1	1009	910-886	DIODE, 1N4004
8	1010	911-181	TERMINAL BLOCK
2	1011	911-182	TERMINAL END PIECE
2	1012	911-183	GROUND BLOCK
2	1013	911-184	TERMINAL END CLAMP
1	1014	905-833	RAIL MOUNTING 7.75"
2	1015	950-846	WASHER 5.3X16X1.6MM PL
4	1016	952-616	WASHER, LOCK M4
4	1017	916-596	STANDOFF, HEX 6-32 .5L
4	1018	905-563	SCREW, PAN HEAD 6-32X.25
2	1019	950-756	SCREW, HEX BUT CAP M4X8
2	1020	950-301	SCREW, HEX SDC, CAP M4X12
2	1021		
2	1022	950-028	WASHER, FLAT M4
2	1023	916-530	CORD GRIP
5	1024	916-531	CORD GRIP
1	1025	916-534	CORD GRIP .275-.34 CORD
1.7	1026	603-646	CABLE, 4C 16AWG
1	1027	5-145707	PLUG 16PDS FOR COILER
1	1028	5-145723	PLUG 16PDS FOR CR. 11
1	1029	916-422	TERMINAL BLOCK 4 PDS
1	1030	916-424	TERMINAL BLOCK 6 PDS
1	1031	917-223	TERMINAL BLOCK 7 PDS
1	1032	916-557	TERMINAL BLOCK 10 PDS
5	1033	917-270	CORDSET VALVE, 24V LED
REF	1034	917-203	SENSOR, NPN
2	1035	917-205	SENSOR EXTENSION CABLE

DETAIL 1:
 B44
 B12
 300
 300
 301
 301
 L1
 L2

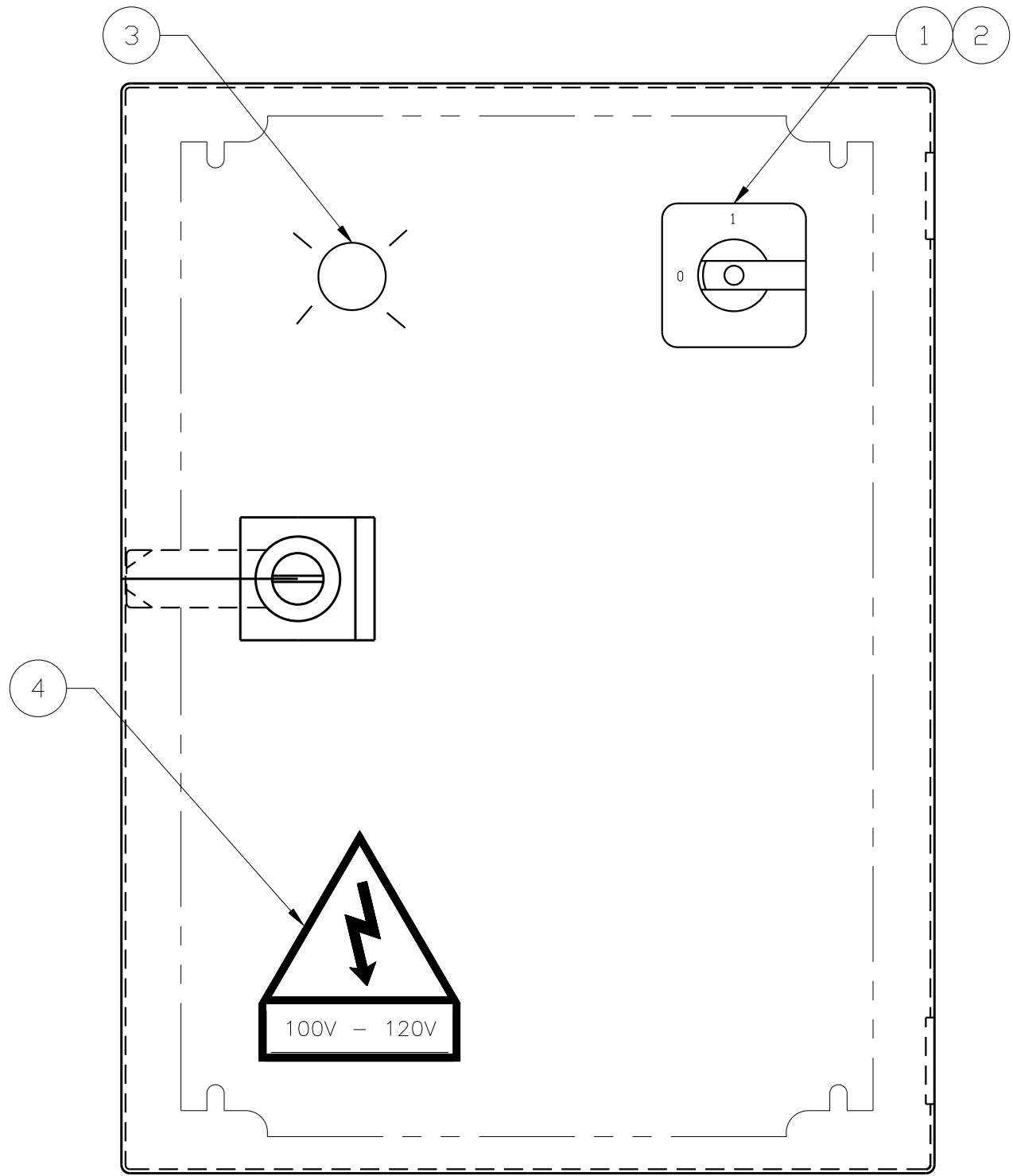
NOTES:
 1. USE SAME CORD GRIP ON ALL 5 VALVE WIRES.
 2. USE SAME CORD GRIP ON BOTH SENSOR WIRES.
 3. TOTAL LENGTH OF SENSOR EXTENSION CABLE.
 4. LENGTHS OF VALVE HEADS AND THE MOTOR CABLE SHOWN ARE OUTSIDE OF THE CORD GRIP.

SCHEMATIC NUMBER 7-145705

REVISIONS
 Δ ECD 13-59
 03/14/2013
 E. SHAPTE

5-145706	HEAT TREATMENT/SURFACE TREATMENT	MATERIAL DESCRIPTION	USED FOR	CLASS CODE
	CONFIDENTIAL	SEE B.O.M.	4-145600	CD-19
	D	ARTOS ENGINEERING COMPANY		REVISION DATE
	ELECTRICAL ENCLOSURE ASS'Y		REVISION	03/14/13
WORK TO MEAN DIMENSIONS DO NOT SCALE DRAWING		CR.11 ROLLUP COILING BOWLS CD-19		REVISION
ES-1 STANDARDS APPLY		SCALE	1:2	1
PLEASE READ THEM BEFORE MFG.		DRAWN BY	E. SHAPTE	DRAWING NO.
		CHECKED BY	M. KIRST	DATE
			07/07/2011	5-145706
				1 of 2

QTY.	REF. NO.	PART NO.	DESCRIPTION
1	2001	915-081	SWITCH, DISCONNECT 4POS
1	2002	915-082	HANDLE, DISCONNECT
1	2003	918-264	LAMP, LED 24V GREEN
1	2004	134851-1	VOLTAGE WARNING LABEL



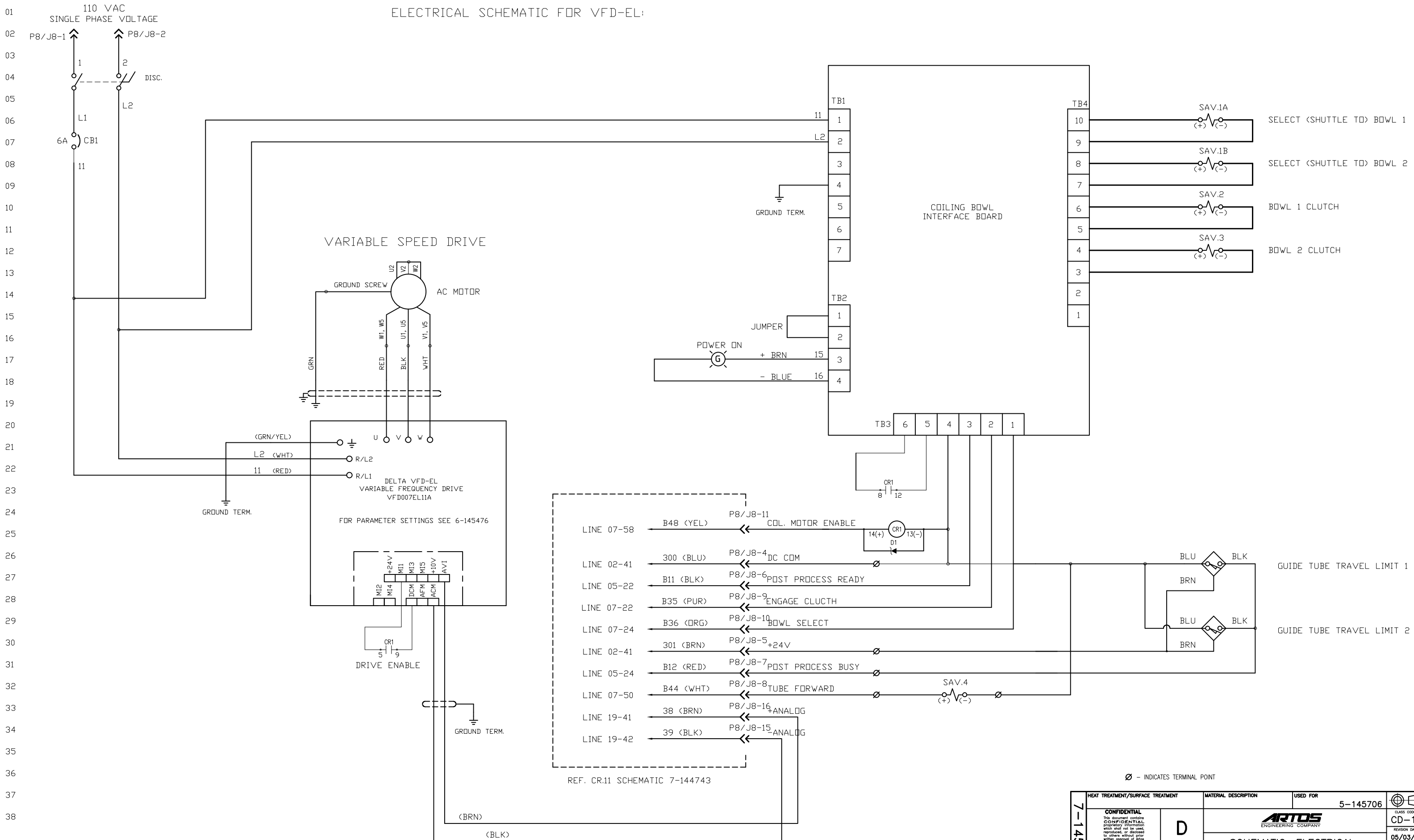
REVISIONS

Δ ECD 13-59
03/14/2013
E. SHAPTE

FRONT COVER

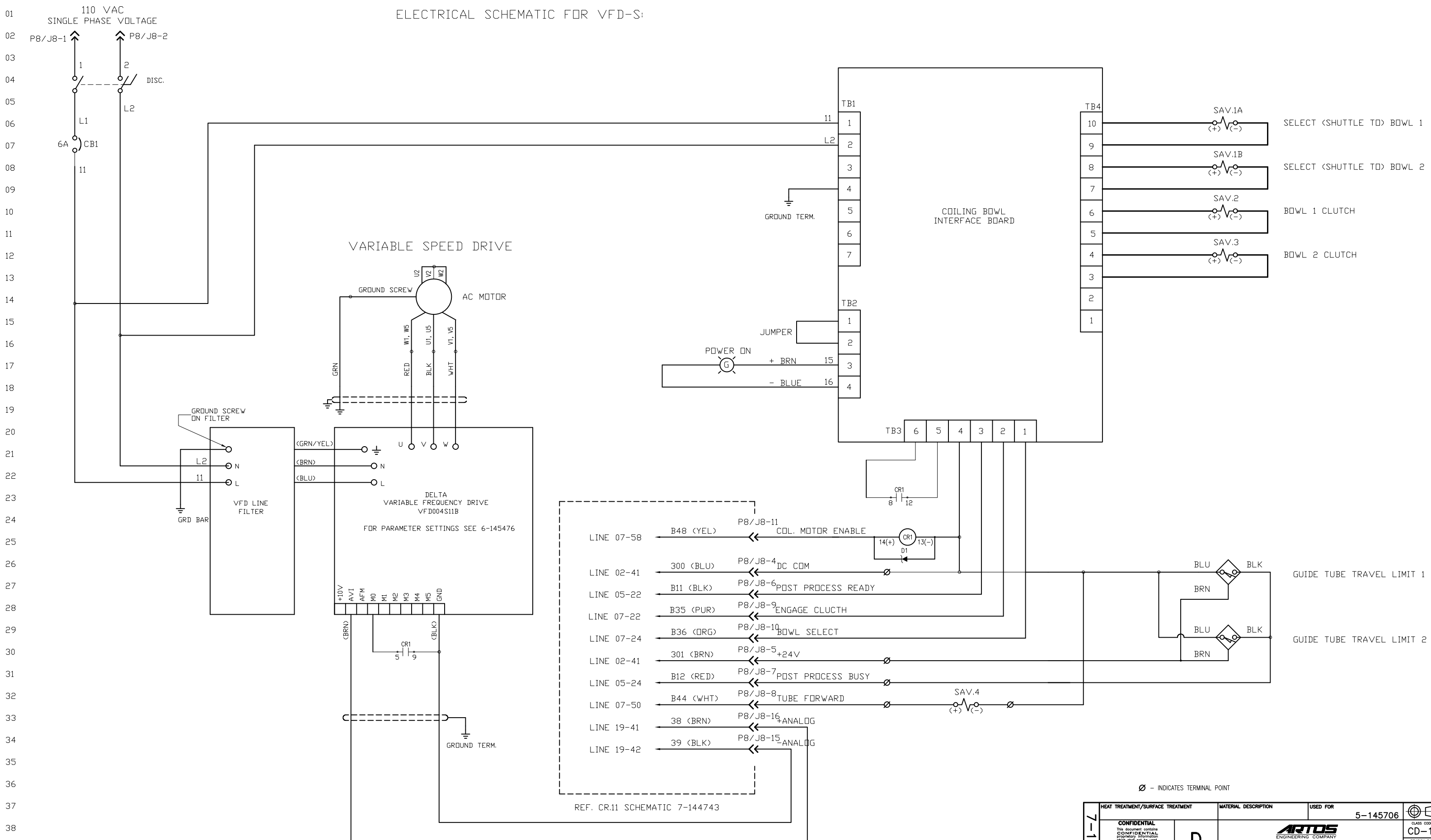
5-145706	HEAT TREATMENT/SURFACE TREATMENT	MATERIAL DESCRIPTION	USED FOR	CLASS CODE CD-19 REVISION DATE 03/14/13 REVISION 1 SHEET NUMBER 2 of 2
	CONFIDENTIAL <small>This document contains confidential information which shall not be used, reproduced, or disclosed to others without prior written approval of Artes Engineering Company.</small>	SEE B.O.M.	4-145600	
	D			
	ELECTRICAL ENCLOSURE ASS'Y CR.11 ROLLUP COILING BOWLS CD-19			
WORK TO MEAN DIMENSIONS DO NOT SCALE DRAWING		DRAWN BY E. SHAPTE CHECKED BY M. KIRST	SCALE 1:1 DATE 07/07/2011	DRAWING NO. 5-145706
ES-1 STANDARDS APPLY PLEASE READ THEM BEFORE MFG.				

ELECTRICAL SCHEMATIC FOR VFD-EL



7-145705	HEAT TREATMENT/SURFACE TREATMENT	MATERIAL DESCRIPTION	USED FOR	5-145706	
	CONFIDENTIAL <small>This document contains CONFIDENTIAL proprietary information which shall not be used, reproduced, or disclosed to others without prior written approval of Artos Engineering Company.</small>	D	ARTOS ENGINEERING COMPANY		
	WORK TO MEAN DIMENSIONS DO NOT SCALE DRAWING	SCHEMATIC, ELECTRICAL CD-19		REVISION DATE 05/03/13	REVISION 0
	ES-1 STANDARDS APPLY PLEASE READ THEM BEFORE MFG.	DRAWN BY: E. SHAPTE CHECKED BY: M. KIRST DATE: 07/07/2011	SCALE: 1:1	DRAWING NO.: 7-145705	SHEET NUMBER 1 of 2

ELECTRICAL SCHEMATIC FOR VFD-S:

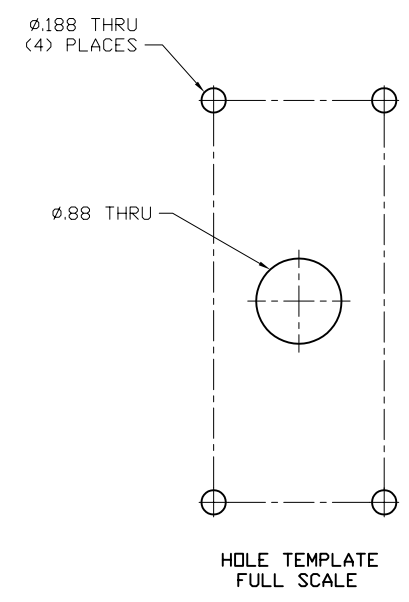
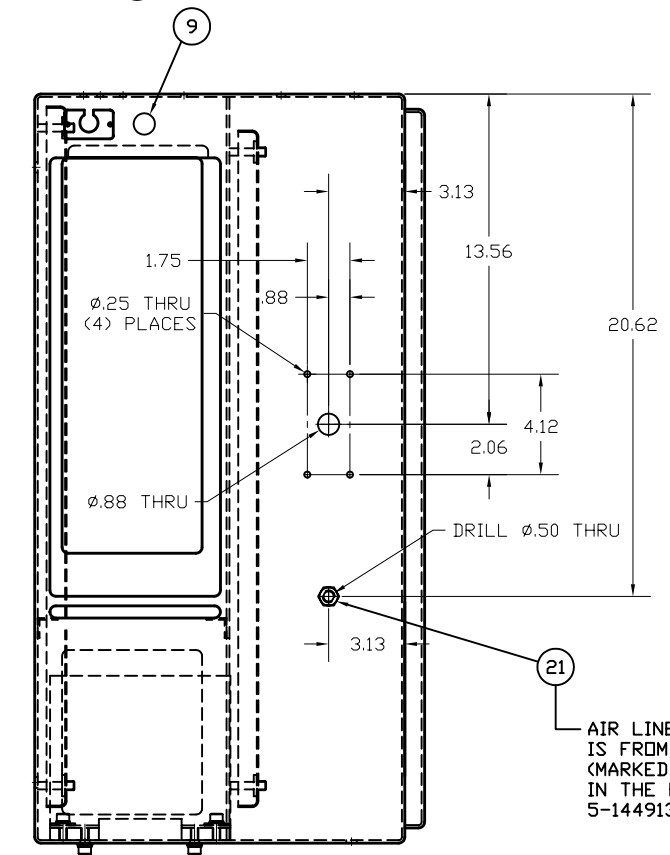
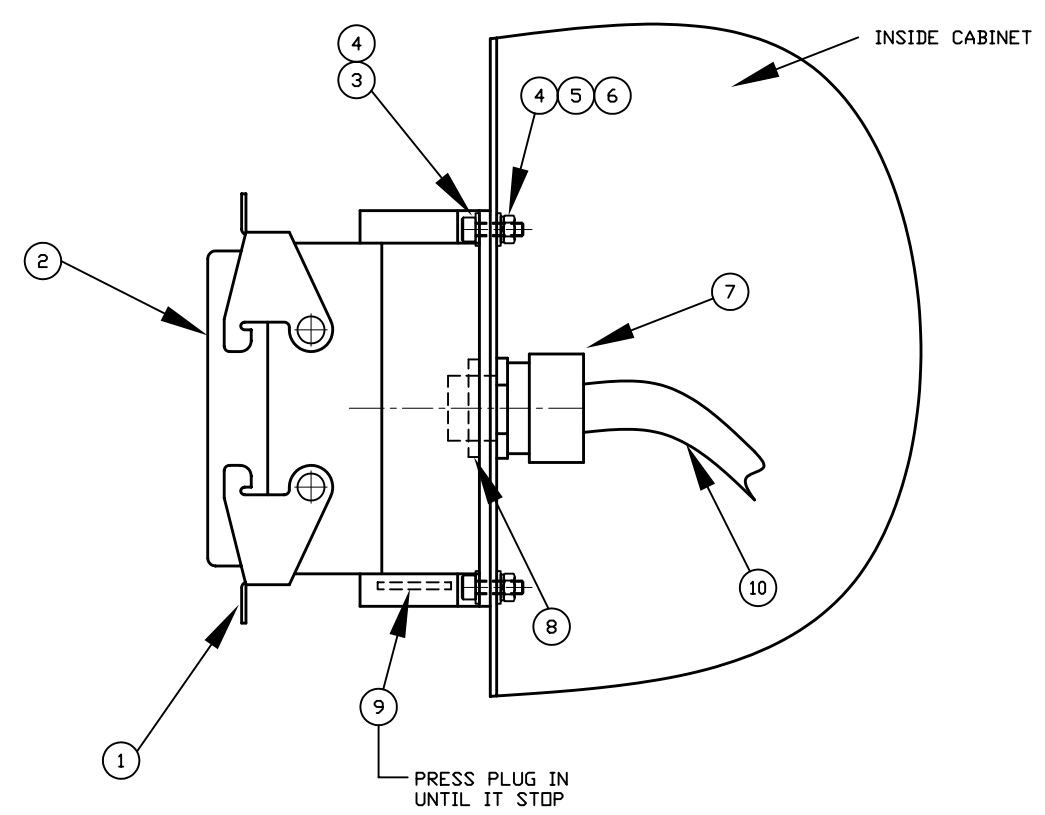
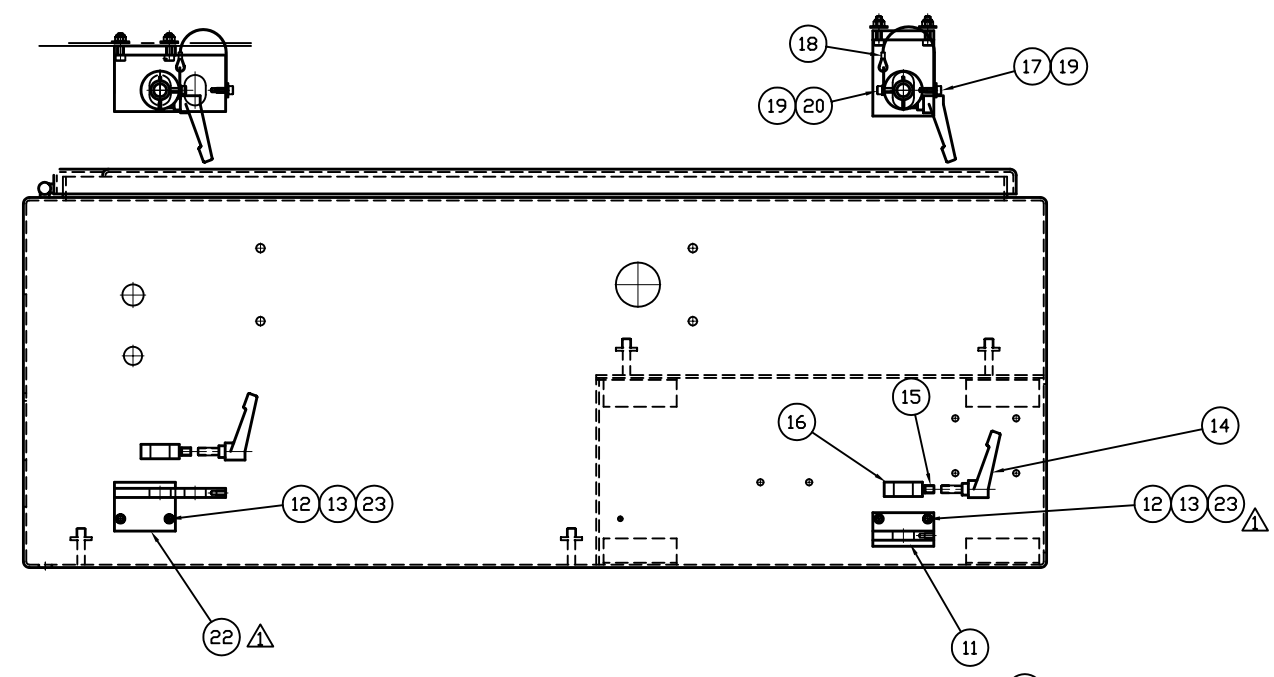


REF. CR.11 SCHEMATIC 7-144743

Ø - INDICATES TERMINAL POINT

7-145705	HEAT TREATMENT/SURFACE TREATMENT		MATERIAL DESCRIPTION		USED FOR		5-145706		CLASS CODE	
	CONFIDENTIAL		D		ARTOS ENGINEERING COMPANY		CD-19		REVISION DATE	
	WORK TO MEAN DIMENSIONS DO NOT SCALE DRAWINGS		ES-1 STANDARDS APPLY PLEASE READ THEM BEFORE MFG.		DRAWN BY: E. SHAPTE CHECKED BY: M. KIRST		SCALE: 1:1 DATE: 07/07/2011		REVISION	
	SHEET NUMBER		2 of 2		DRAWING NO. 7-145705		REVISION 0		REVISION DATE 05/03/13	

QTY	REV	PART NO.	DESCRIPTION
1	1	145722	RECEPTACLE, BASE
1	2	916-992	COVER, DUST
4	3	950-394	SCREW SHC M4X16
8	4	950-028	WASHER FLAT M4
4	5	952-616	WASHER LOCK M4
4	6	950-004	NUT HEX M4
1	7	910-374	CORD GRIP
1	8	910-379	LOCKNUT
2	9	912-345	PLUG, HOLE
1	10	5-145716	CR.11 CD-19 AND 20 RECEPT.
1	11	145616	BLOCK, DOCKING
4	12	950-114	SCREW SHC M6X25
4	13	950-057	WASHER FLAT M6
2	14	916-168	HANDLE
2	15	145389	SPACER, DOCKING
2	16	145484	COLLAR, DOCKING
2	17	950-846	WASHER FLAT
2	18	918-618	LANYARD
2	19	950-375	SCREW SHC M4X12
2	20	952-325	WASHER LOCK M5
1	21	912-523	COUPLER, BULKHEAD
1	22	146209	BLOCK, DOCKING
4	23	917-941	NUT, NYLON LOCK M6



NOTE
1. IF THE CONNECTOR NEEDS TO BE REMOVED, COVER PLATE 143961 CAN BE USED TO COVER THE HOLE.

NOTE: ASSEMBLY IS USED FOR CR.11 COILING BOWLS AND COLLECTOR ENCLOSURE ASSY'S.

REVISIONS

ECO 12-105
5/15/2012
LALUMNDIER
ECO 12-180
9/19/2012
LALUMNDIER

5-145723	HEAT TREATMENT/SURFACE TREATMENT	MATERIAL DESCRIPTION	USED FOR	CLASS CODE CR11	
	CONFIDENTIAL	SEE BOM	5-145706,5-145712		REVISION DATE 9/19/2012
	D	ARTOS ENGINEERING COMPANY		REVISION 2	
	WORK TO MEAN DIMENSIONS DO NOT SCALE DRAWING		INSTALLATION ELECT. AND DOCK CR.11 ROLLUP COILING BOWLS AND COLLECTOR		SHEET NUMBER 1 of 1
ES-1 STANDARDS APPLY PLEASE READ THEM BEFORE MFG.		DRAWN BY E. SHAPTE	SCALE 1:4	DATE 07/14/2011	5-145723