

# CD-22 CR22cd Coiling System

REV 06/152015

## **Mechanical**

- 2 4-147565 Main Assembly
  - 4 • 5-140370 Brake Pad Assembly
  - 5 • 5-140368 Drive Pulley and Pad
  - 6 • 5-148001 Bowl and Gripper Assembly

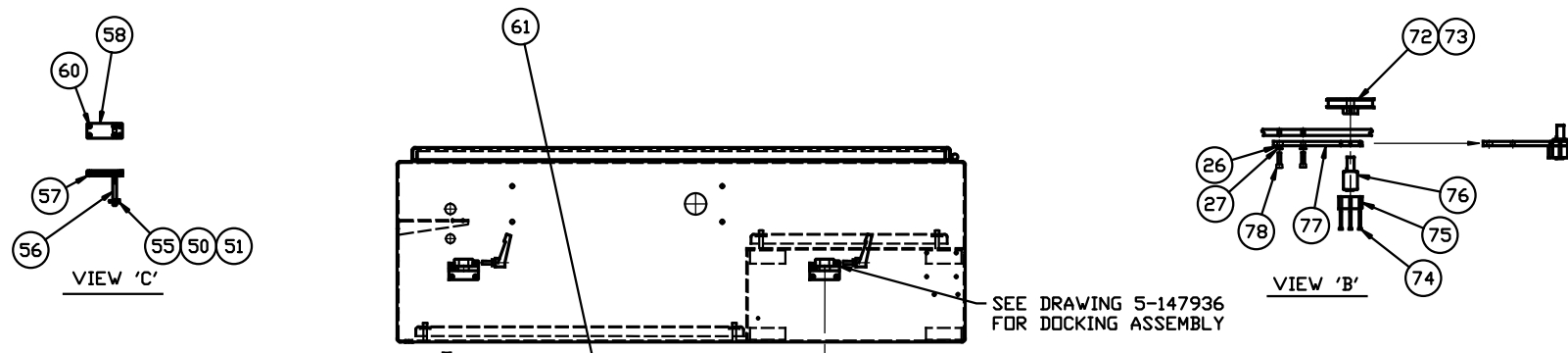
## **Electrical**

- 8 5-147929 Main Electrical Assembly
- 9 7-147928 Electrical Schematic

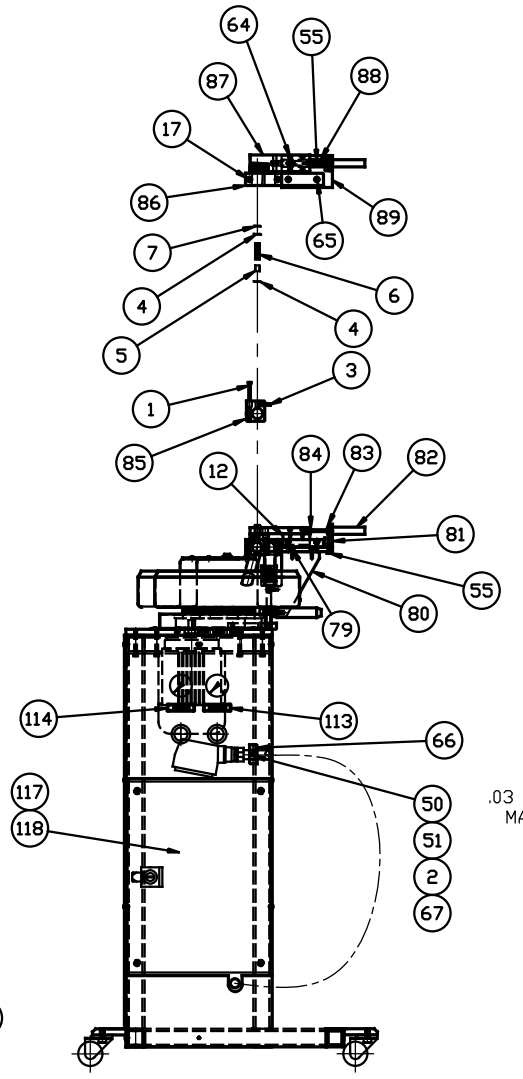
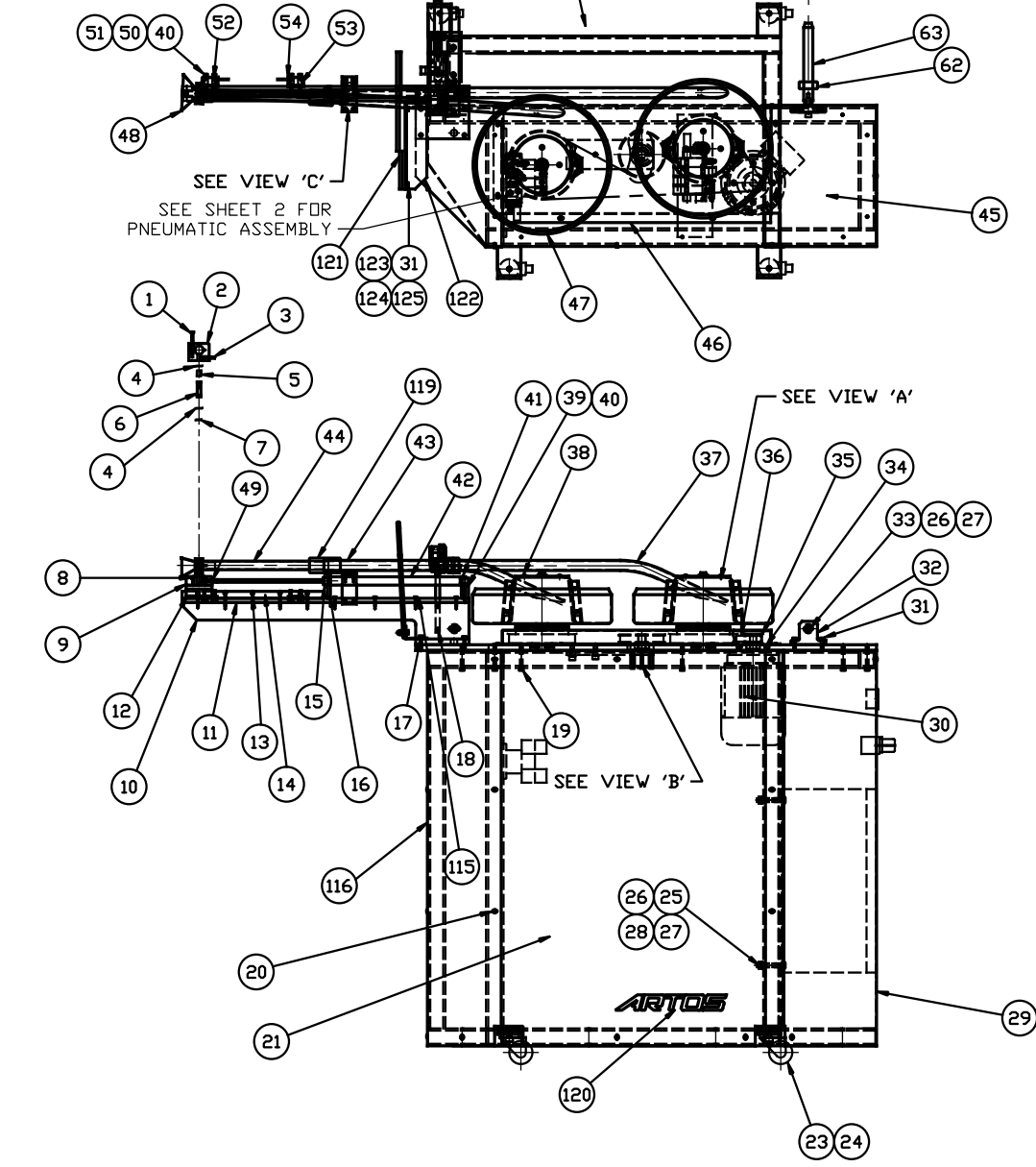
## **Interface**

- 11 5-147936 CR22 Receptacle and Docking Parts for CD21 and CD22

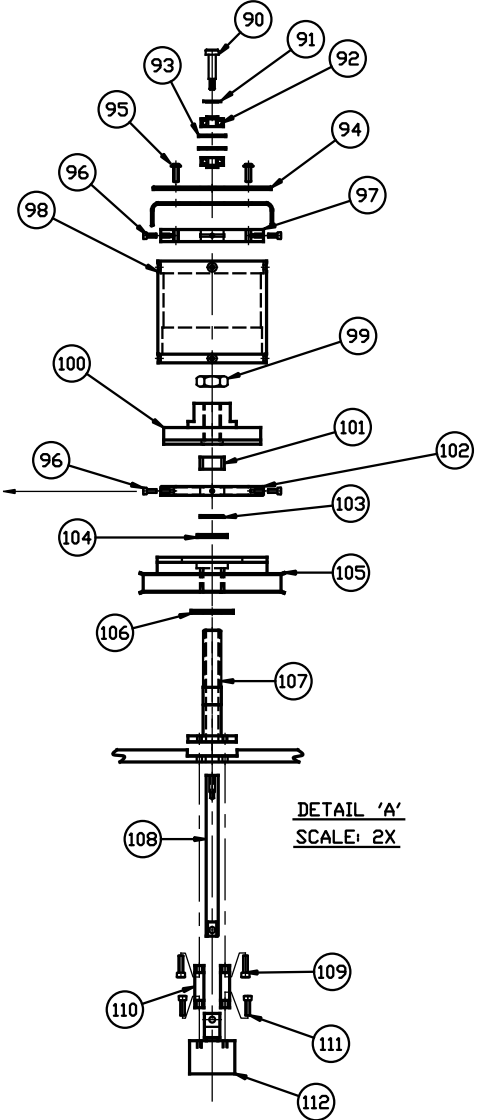




SEE DRAWING 5-147936 FOR DOCKING ASSEMBLY



.03 GAP MAX.



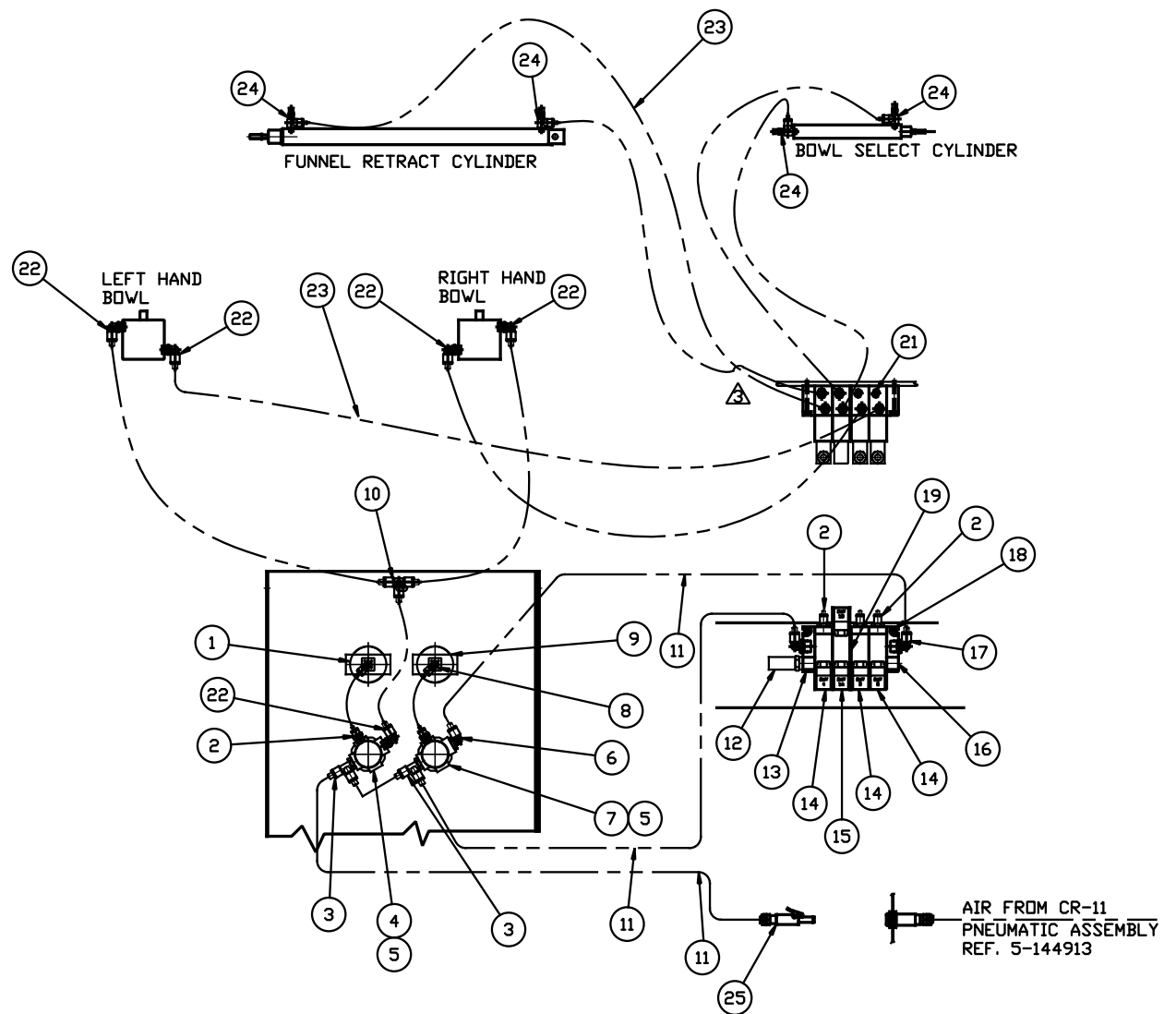
QTY.	REF. NO.	PART NO.	DESCRIPTION
2	1090	950-150	SCREW SHC SHOUL. M6X8X25
2	1091	903-883	WASHER FLAT M8
4	1092	907-930	BEARING BALL
4	1093	907-960	RING, RETAINING
2	1094	83183	PLATE
8	1095	950-896	SCREW BSHC M6X16
16	1096	950-284	SCREW SHC M4X10
2	1097	81540	SUPPORT, BOWL UPPER
2	1098	81529	DRUM
2	1099	907-961	NUT HEX JAM .75-10 LN
2	1100	5-140370	PAD, BRAKE ASSEMBLY LH
2	1101	902-191	BEARING SL
2	1102	81539	DISC BRAKE
2	1103	902-854	RING, RETAINING
2	1104	901-420	BEARING, TH
2	1105	5-140368	PULLEY ASSEMBLY
2	1106	901-573	BEARING TH
2	1107	145386	SHAFT, BRAKE PAD LH
2	1108	81544	SHAFT
8	1109	950-051	SCREW SHC M5X20
4	1110	81546	SPACER, CYLINDER
8	1111	907-277	SCREW SHC #10-24X.63
2	1112	907-935	AIR CYLINDER
1	1113	137891-1	LABEL - CLUTCH PRESSURE
1	1114	143817	LABEL - BRAKE PRESSURE
4	1115	950-394	SCREW SHC M4X16
1	1116	146059	PANEL, SIDE LH
1	1117	5-147929	ENCLOSURE ASSEMBLY
1	1118	7-147928	ELECTRIAL SCHEMATIC
1	1119	147572	SLEEVE
1	1120	120095	LABEL 'ARTOS' - GREY
1	1121	146060	GUARD
1	1122	146061	BRACKET, GUARD
2	1123	950-057	WASHER FLAT M6
2	1124	952-428	WASHER LOCK M6
2	1125	917-941	NUT LOCK M6

QTY.	REF. NO.	PART NO.	DESCRIPTION
3	1001	950-051	SCREW SHC M5X20
1	1002	145597	CLAMP, TUBE SMALL
3	1003	950-493	SCREW SC SET M6X10
4	1004	918-607	BEARING TH 0815-015
2	1005	918-608	BEARING SL 8X10X12
2	1006	145589	PIN, PIVOT
2	1007	956-230	E-RING E-7
8	1008	952-674	SCREW SHC M4X18
1	1009	145594	BLOCK, SLIDE
1	1010	147567	SUPPORT, GUIDE TUBE
1	1011	147568	SUPPORT, RAIL
2	1012	918-598	BLOCK LM
5	1013	950-869	SCREW SHC M4X30
1	1014	147571	RAIL LONG
1	1015	918-602	NUT MN-2
1	1016	145601	SUPPORT, CYLINDER
6	1017	950-114	SCREW SHC M6X25
5	1018	916-498	SCREW SHC M5X18
12	1019	950-732	SCREW SHC M6X50
27	1020	956-319	SCREW SHC BUTT M5X8
1	1021	146058	PANEL, FRONT
1	1022		
4	1023	918-438	CASTER
4	1024	950-492	SCREW SHC M10X20
4	1025	952-380	SCREW SHC M8X60
6	1026	950-025	WASHER FLAT M8
6	1027	952-379	WASHER LOCK M8
4	1028	950-016	NUT HEX M8
1	1029	145612	PANEL, SIDE RH
1	1030	916-931	MOTDR
4	1031	950-113	SCREW SHC M6X20
1	1032	145617	BLOCK, DOCKING SHAFT
2	1033	950-874	SCREW SHC M8X30
4	1034	950-849	SCREW SHC M6X16
1	1035	918-606	PULLEY
1	1036	918-657	BELT, TIMING
1	1037	145606	TUBE, GUIDE LONG
1	1038	145607	TUBE, GUIDE SHORT
1	1039	145615	PIVOT, BLOCK
6	1040	950-125	SCREW SHC M5X30
1	1041	918-706	SCREW SH SHOUL M5X6X12
1	1042	919-102	AIR CYLINDER
1	1043	147569	TUBE, OUTER GUIDE
1	1044	147570	TUBE, INNER GUIDE
1	1045	145581	PLATE, TOP
1	1046	145613	GUARD, BELT
2	1047	5-148001	BOWL & GRIPPERS ASSEM
1	1048	145374	FUNNEL
1	1049	952-071	NUT JAM M6
7	1050	950-094	WASHER FLAT M5
6	1051	952-325	WASHER LOCK M5
2	1052	145461	BRACKET, SENSOR MOUNTING
4	1053	918-400	SCREW SHC M3X14
2	1054	917-203	SENSOR NPN
2	1055	916-498	SCREW SHC M5X18
1	1056	145604	PLATE, MOUNTING
1	1057	145603	PLATE, STRIP MOUNTING
1	1058	145602	STRIP, WARE
1	1059		
4	1060	950-375	SCREW SFH M4X12
1	1061	147566	FRAME, WELDMENT
2	1062	916-770	COLLAR
2	1063	147937	SHAFT, DOCKING
4	1064	950-301	SCREW SHC M4X12
2	1065	950-117	SCREW SHC M6X22
1	1066	918-844	TOOL HOLDER
1	1067	950-027	NUT HEX M5
1	1068		
1	1069		
1	1070		
1	1071		
1	1072	145614	PULLEY, TAKE-UP
1	1073	950-493	SCREW SH SET M6X10
4	1074	950-871	SCREW SHC M5X35
1	1075	81537	HOUSING, BEARING
1	1076	81548	BEARING, IDLER
1	1077	81527	PLATE, IDLER PULLEY
2	1078	950-495	SCREW SHC M8X25
2	1079	950-047	SCREW SHC M5X12
1	1080	145584	BRACKET, SUPPORT
1	1081	145586	BRACKET, CYLINDER
1	1082	918-656	AIR CYLINDER
1	1083	918-604	NUT MN-1
1	1084	956-081	NUT JAM M4
1	1085	145588	CLAMP, TUBE LARGE
1	1086	145590	CLAMP, TUBE DISCHARGE
1	1087	145587	BLOCK, SLIDE
1	1088	145591	RAIL, SHORT
1	1089	145585	RAIL SUPPROT

REVISIONS

- ECO 15-93
- 04/2/2015
- LALUMBIER
- ECO 15-116
- 04/15/2015
- LALUMBIER

4-147656	HEAT TREATMENT/SURFACE TREATMENT	MATERIAL DESCRIPTION	USED FOR	<p>CLASS CODE CD22</p> <p>REVISION DATE 04/27/15</p> <p>REVISION 2</p> <p>SHEET NUMBER 1 of 2</p>
	CONFIDENTIAL	SEE B.O.M.		
	D	COILING BOWL ASSEMBLY CD22		
	WORK TO MEAN DIMENSIONS DO NOT SCALE DRAWING	SCALE: 1:8	DATE: 7/15/14	
ES-1 STANDARDS APPLY PLEASE READ THEM BEFORE MFG.		DATE: 7/15/14	4-147565	



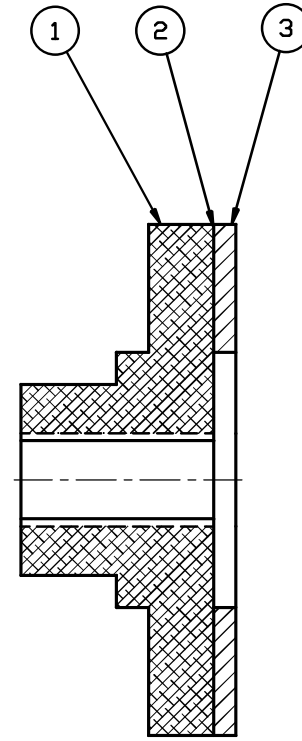
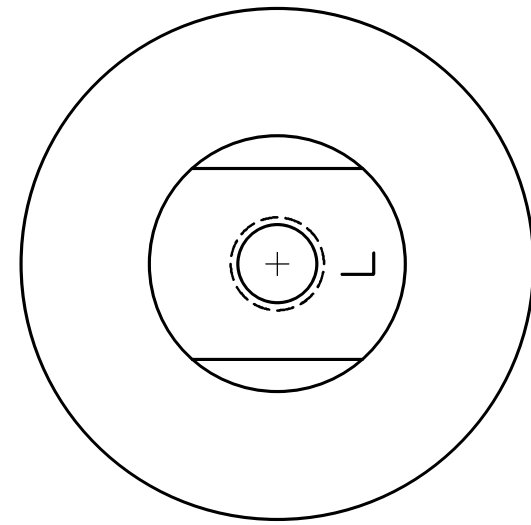
QTY.	REF. NO.	PART NO.	DESCRIPTION
1	2001	916-556	GAGE 0-60 PSIG
8	2002	915-263	FITTING STR 4TX1/8
2	2003	917-015	FITTING TEE RUN 6TX1/8
1	2004	916-555	REGULATOR
2	2005	900-647	NUT, REGULATOR
1	2006	915-233	FITTING ELBOW 6TX1/8
1	2007	904-011	REGULATOR
2	2008	916-552	FITTING ELBOW 4TXM5
1	2009	906-020	GAGE 0-100 PSIG
1	2010	915-283	TEE 4mm
(60 in.)	5ft.	2011 603-522	TUBING 6mm
1	2012	916-564	MUFFLER
1	2013	916-560	END PLATE KIT MAC
3	2014	916-561	VALVE MAC SINGLE
1	2015	916-563	VALVE MAC DOUBLE
1	2016	900-452	PLUG 1/4
2	2017	915-234	FITTING ELBOW 6TX1/4
2	2018	950-774	SCREW SHC M5X40
1	2019	918-225	PLATE, INLET ISOLATION
		2020	
2	2021	915-253	PLUG 1/8
5	2022	915-232	FITTING ELBOW 4TX1/8
(60 in.)	5ft.	2023 915-141	TUBING 4mm
4	2024	916-554	FLOW CONTROL VALVE
1	2025	912-522	COUPLING

REVISIONS

- ECO 15-93
- 04/2/2015 LALUMDIER
- ECO 15-116
- 04/15/2015 LALUMDIER

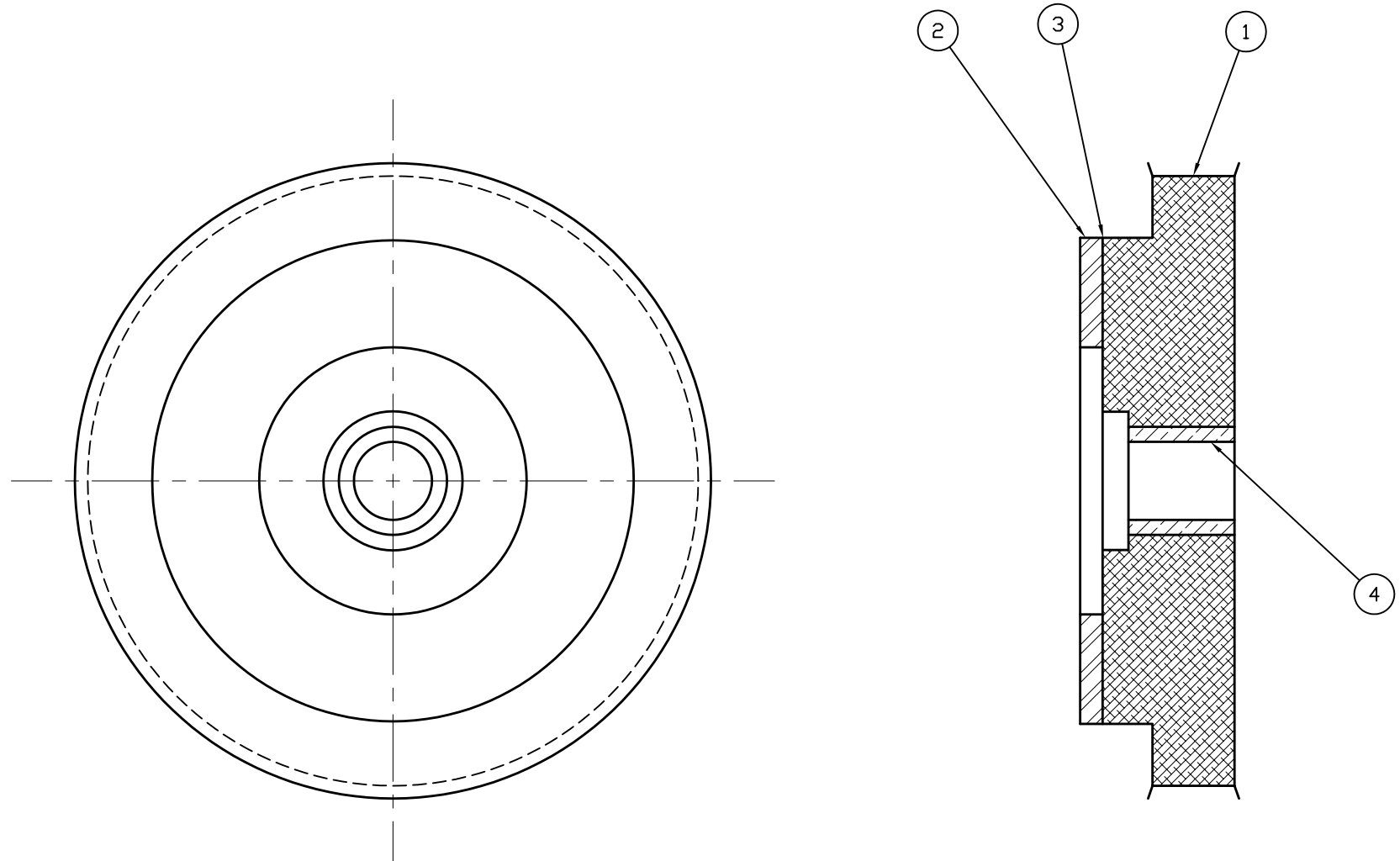
4-147565	HEAT TREATMENT/SURFACE TREATMENT	MATERIAL DESCRIPTION	USED FOR		
	CONFIDENTIAL <small>This document contains CONFIDENTIAL proprietary information which shall not be used, reproduced, or disclosed to others without prior written approval of Artos Engineering Company.</small>	SEE B.O.M.			CLASS CODE <b>CD22</b>
	D				REVISION DATE 04/27/15
	WORK TO MEAN DIMENSIONS DO NOT SCALE DRAWING	<b>COILING BOWL ASSEMBLY CD22</b> Ø12.0 BOWLS CR22 MAIN ASSEMBLY			REVISION 2
ES-1 STANDARDS APPLY PLEASE READ THEM BEFORE MFG.	DRAWN BY H. KEENE	SCALE 1:4	CHECKED BY DATE 7/15/14	SHEET NUMBER <b>2 of 2</b>	



QTY.	REF. NO.	PART NO.	DESCRIPTION
1	1	137799	PAD, BRAKE LH
REF	2	-	LOCTITE U-05FL URETHANE ADHESIVE
1	3	81536	PAD, BRAKE
	4		
	5		



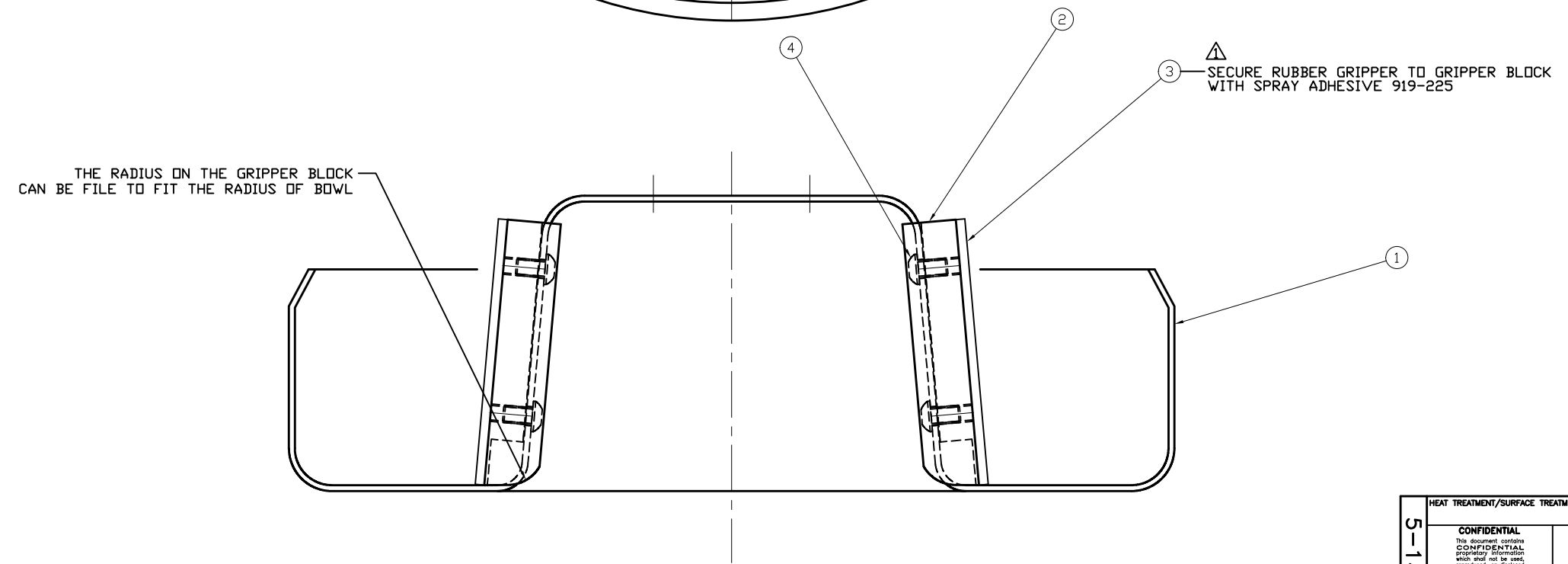
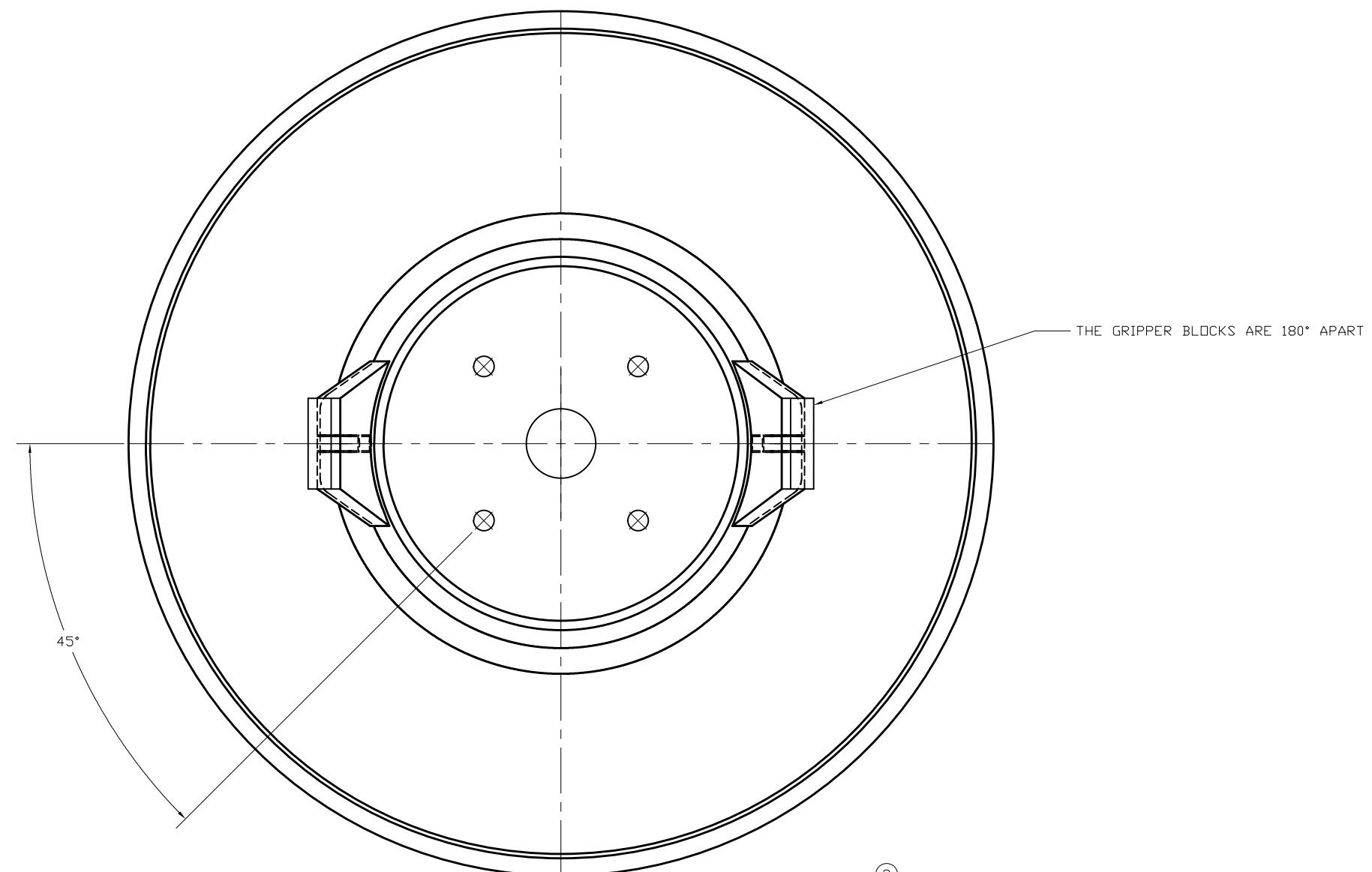
5-140370	HEAT TREATMENT/SURFACE TREATMENT		MATERIAL DESCRIPTION SEE BOM	USED FOR 4-137775	
	<b>CONFIDENTIAL</b> <small>This document contains CONFIDENTIAL proprietary information which shall not be used, reproduced, or disclosed to others without prior written approval of Artos Engineering Company.</small>		<b>ARTOS</b> ENGINEERING COMPANY		CLASS CODE 326
	<b>C</b>		PAD, BRAKE ASSY LH COILING BOWL		REVISION DATE 02/01/01
	WORK TO MEAN DIMENSIONS DO NOT SCALE DRAWING		DRAWN BY WOLLERMANN	SCALE 1:1	REVISION 0
	ES-1 STANDARDS APPLY PLEASE READ THEM BEFORE MFG.		CHECKED BY R. SIMMONS/	DATE 01/23/2001	DRAWING NO. 5-140370

QTY.	REF. NO.	PART NO.	DESCRIPTION
1	1	81530-500	PULLEY ASSY
1	2	81532	PLATE, DRIVE
REF	3	9xx-xxx	3M 2216B/A EPOXYADHESIVE
1	4	902-726	BEARING, SL
	5		
	6		
	7		
	8		



5-140368	HEAT TREATMENT/SURFACE TREATMENT		MATERIAL DESCRIPTION	USED FOR		
			SEE BOM	4-137775		
	<b>CONFIDENTIAL</b> <small>This document contains CONFIDENTIAL, proprietary information which shall not be used, reproduced, or disclosed to others without prior written approval of Artos Engineering Company.</small>		C	 PULLEY, DRIVE ASSY COILING BOWL		CLASS CODE 326
	WORK TO MEAN DIMENSIONS DO NOT SCALE DRAWING			DRAWN BY WOLLERMANN	SCALE 1:1	REVISION DATE 02/01/01
ES-1 STANDARDS APPLY PLEASE READ THEM BEFORE MFG.		CHECKED BY R. SIMMONS/	DATE 01/23/2001	DRAWING NO. 5-140368	REVISION 0	
					SHEET NUMBER 1 of 1	

QTY.	REF. NO.	PART NO.	DESCRIPTION
1	1	148002	BOWL REWORK
2	2	147986	BLOCK, GRIPPER
2	3	147996	GRIPPER, RUBBER
4	4	956-321	SCREW BUTT SH M6X10

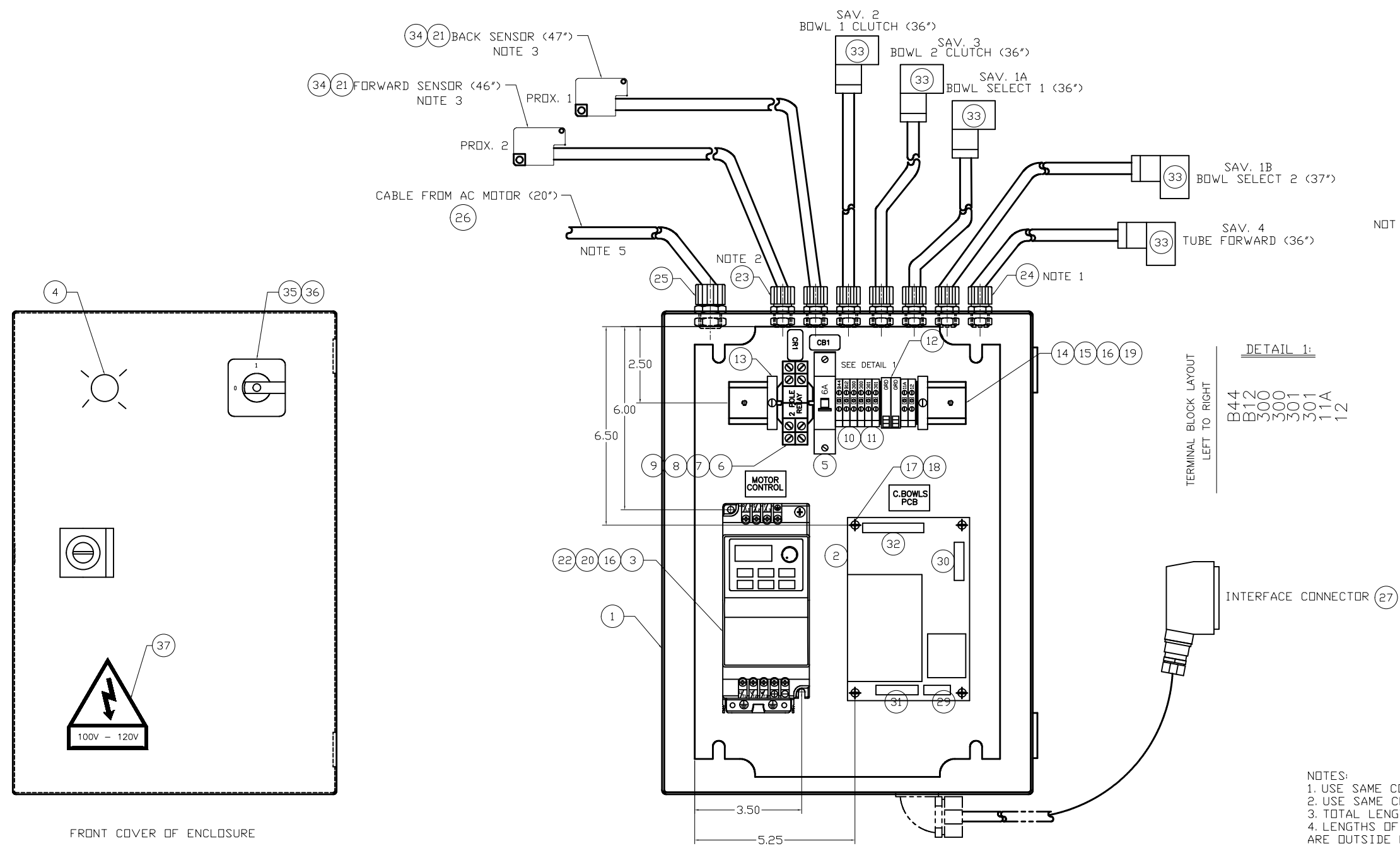


REVISIONS  
 ECO 15-148  
 5/6/2015  
 LALUMONDIER

5-148001	HEAT TREATMENT/SURFACE TREATMENT	MATERIAL DESCRIPTION	USED FOR		
		SEE B.O.M.	4-147565		
	CONFIDENTIAL <small>This document contains CONFIDENTIAL proprietary information which shall not be used, reproduced, or disclosed to others without prior written approval of Artos Engineering Company.</small>	D			CLASS CODE CD22
	WORK TO MEAN DIMENSIONS DO NOT SCALE DRAWING		BOWL & GRIPPERS ASSEMBLY ROLLUP COILING BOWL ASSEMBLY		REVISION DATE 5/6/2015
ES-1 STANDARDS APPLY PLEASE READ THEM BEFORE MFG.		DRAWN BY LALUMONDIER	SCALE 1:1	DRAWING NO. 5-148001	SHEET NUMBER 1 of 1
		CHECKED BY DATE 04/8/2015			







FRONT COVER OF ENCLOSURE

ENCLOSURE WITH FRONT COVER OPEN

QTY.	REF.	PART NO.	DESCRIPTION	
1	1	145708	ENCLOSURE 16X12X8	
1	2	5-137860	PCB, COILING BOWLS 1/D	
1	3	5-145475	DELTA DRIVE	
1	4	918-264	LAMP, LED 24VDC GREEN	
1	5	918-380	CRT. BREAKER, 6A, 1PL	
1	6	906-610	RELAY, 2P2T 24VDC COIL	
1	7	907-016	RELAY SOCKET	
2	8	917-000	RELAY HOLD-DOWN CLIP	
1	9	910-886	DIODE, IN4004	
8	10	911-181	TERMINAL BLOCK	
2	11	911-182	TERMINAL END PIECE	
2	12	911-183	GROUND BLOCK	
2	13	911-184	TERMINAL END CLAMP	
(7.75')	65	905-833	RAIL MOUNTING	
2	15	950-846	WASHER 5.3X16X1.6MM PL	
4	16	952-616	WASHER, LOCK M4	
4	17	916-596	STANDOFF, HEX 6-32 .5L	
4	18	905-563	SCREW, PAN HEAD 6-32X.25	
2	19	950-756	SCREW, HEX BUT CAP M4X8	
2	20	950-301	SCREW, HEX SOC. CAP M4X12	
2	21	917-205	SENSOR EXTENSION CABLE	
2	22	950-028	WASHER, FLAT M4	
2	23	916-530	CORD GRIP	
5	24	916-531	CORD GRIP	
1	25	916-534	CORD GRIP .275-.34 CORD	
(20')	1.7	26	603-646	CABLE, 4C 16AWG
1	27	5-145707	PLUG 16PDS FOR COILER	
1	28	5-147936	PLUG 16PDS FOR CR. 22C	
1	29	916-422	TERMINAL BLOCK 4 PDS	
1	30	916-424	TERMINAL BLOCK 6 PDS	
1	31	917-223	TERMINAL BLOCK 7 PDS	
1	32	916-557	TERMINAL BLOCK 10 PDS	
5	33	917-270	CORDSET VALVE, 24V LED	
REF	34	917-203	SENSOR, NPN	
1	35	915-081	SWITCH, DISCONNECT 4PDS	
1	36	915-082	HANDLE, DISCONNECT	
1	37	134851-1	VOLTAGE WARNING LABEL	

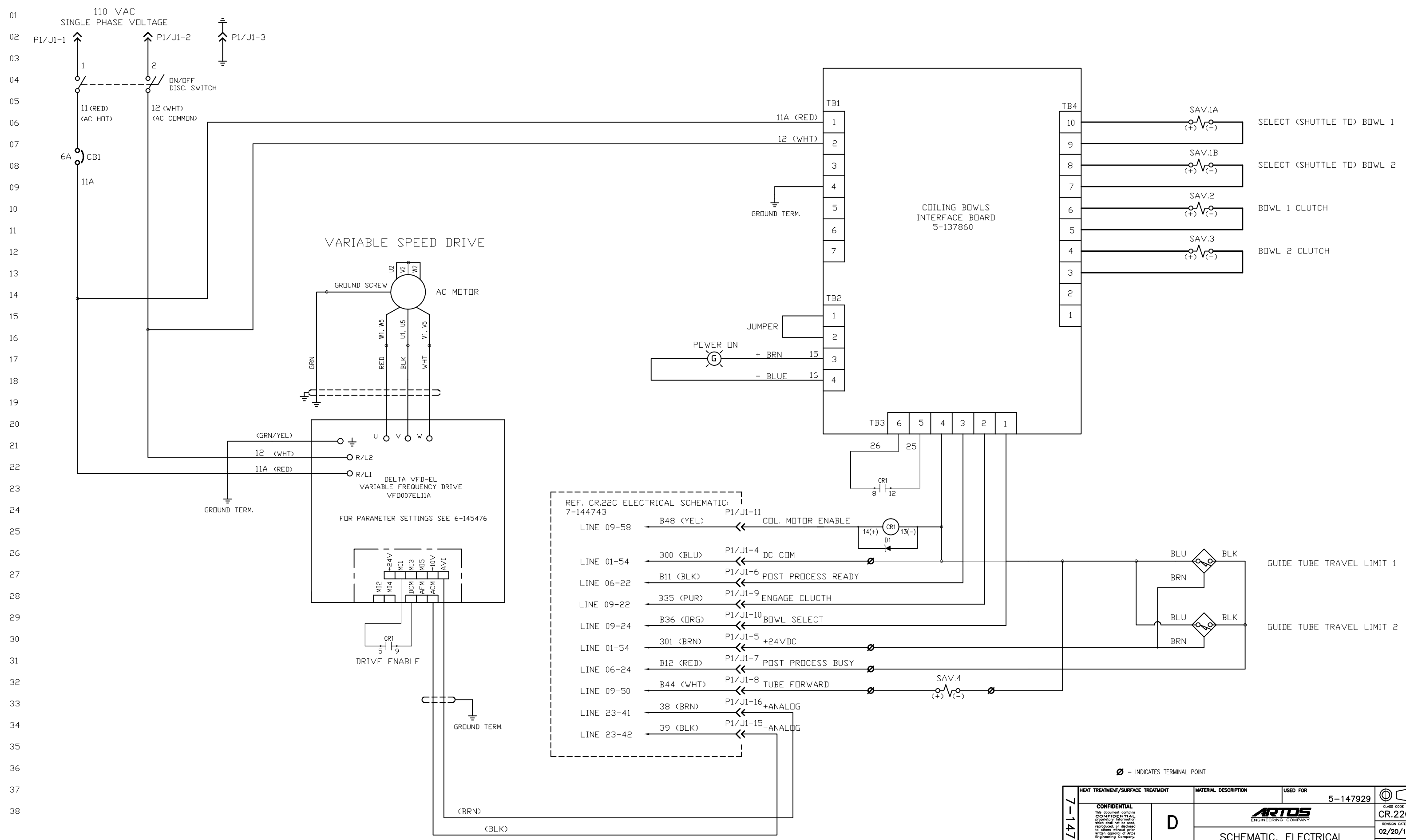
DETAIL 1:

- B44
- B12
- 300
- 300
- 301
- 301
- 11A
- 12

- NOTES:
- USE SAME CORD GRIP ON ALL 5 VALVE HEAD CABLES.
  - USE SAME CORD GRIP ON BOTH SENSOR EXTENSION CABLES.
  - TOTAL LENGTH OF SENSOR EXTENSION CABLE.
  - LENGTHS OF VALVE HEADS AND THE MOTOR CABLE SHOWN ARE OUTSIDE OF THE CORD GRIP.
  - DO NOT CUT OFF DRAIN WIRE ON MOTOR CABLE. WIRE DRAIN WIRE TO GROUND TERMINAL BLOCK.

ELECTRICAL SCHEMATIC NUMBER 7-147928

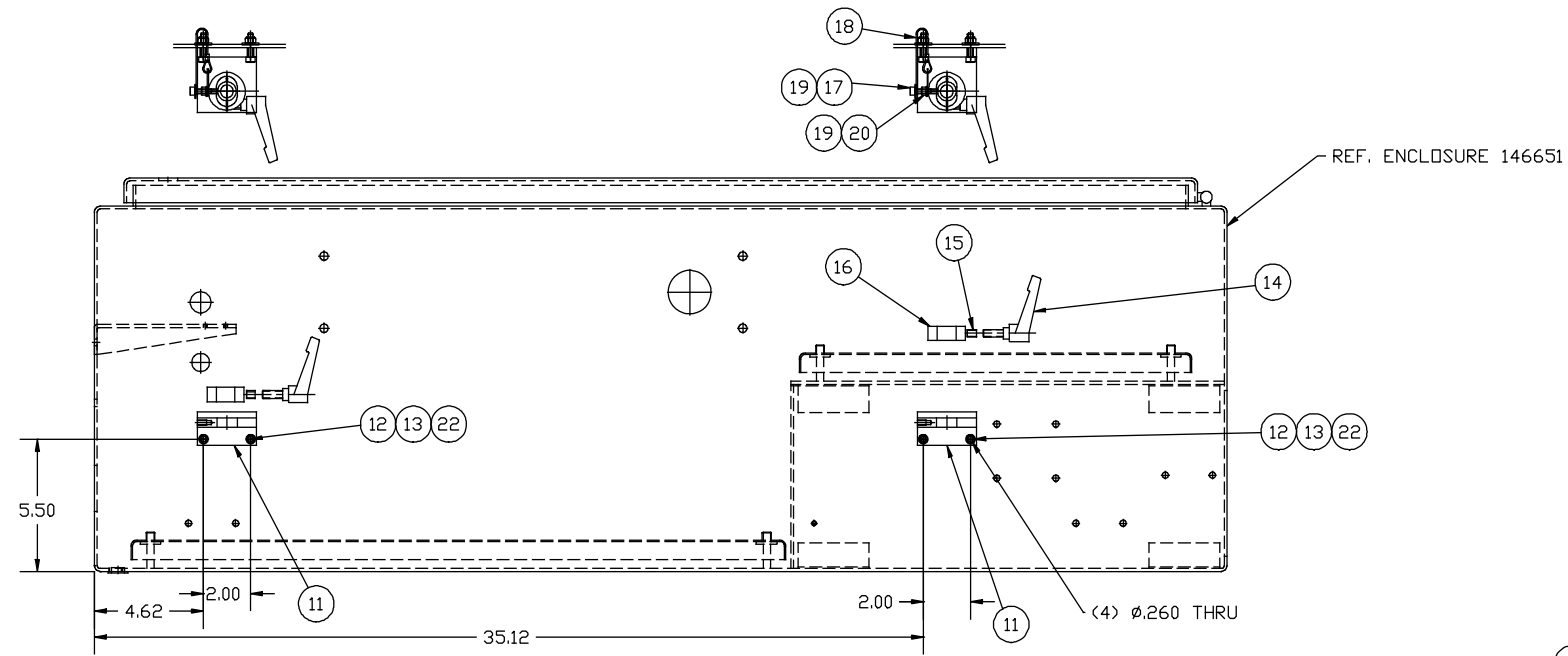
5-147929	HEAT TREATMENT/SURFACE TREATMENT	MATERIAL DESCRIPTION	USED FOR	CLASS CODE
	CONFIDENTIAL <small>This document contains CONFIDENTIAL proprietary information which shall not be disseminated, reproduced, or disclosed to others without prior written approval of Arlos Engineering Company.</small>	SEE B.O.M.	CR.22C	CR.22C
	WORK TO MEAN DIMENSIONS DO NOT SCALE DRAWING	ARTOS ENGINEERING COMPANY	ELECTRICAL ENCLOSURE ASS'Y ROLLUP COILING BOWLS CD-22	REVISION DATE 02/20/15
	ES-1 STANDARDS APPLY PLEASE READ THEM BEFORE MFG.	DRAWN BY E. SHAPTE CHECKED BY M. KIRST	SCALE 1:2 DATE 02/20/2015	REVISION 0 SHEET NUMBER 1 of 1



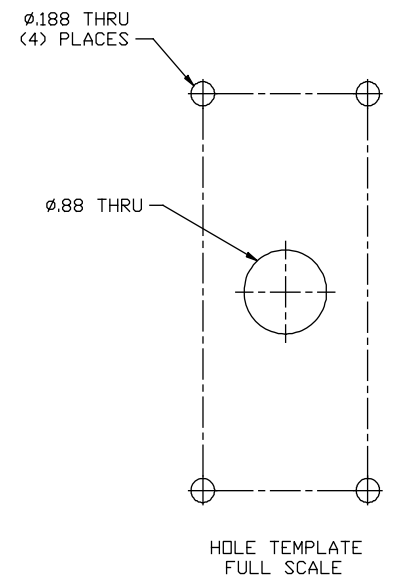
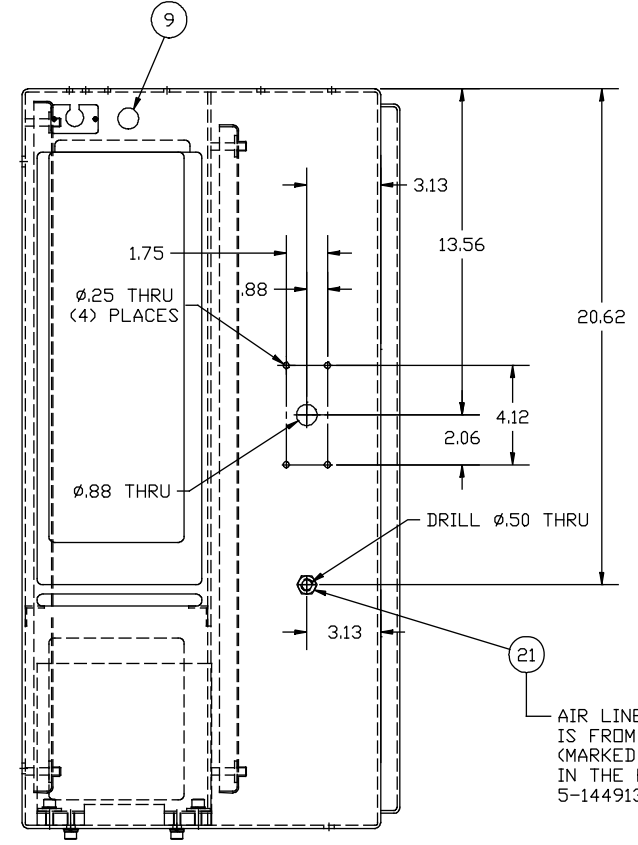
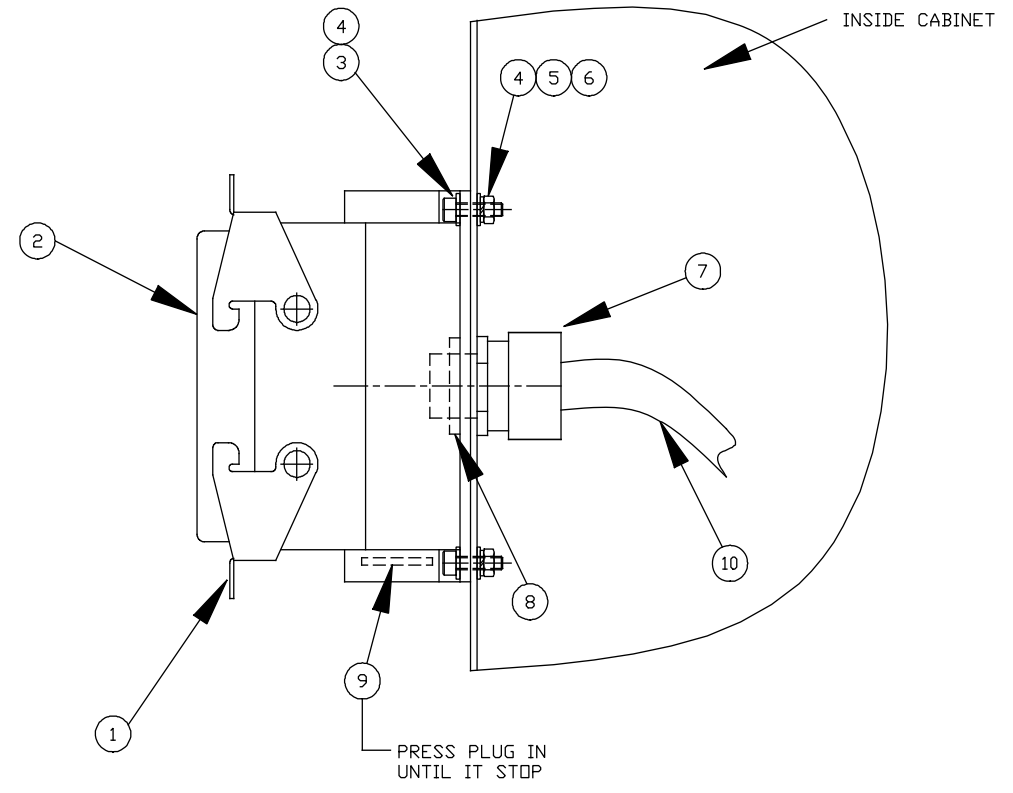
Ø - INDICATES TERMINAL POINT

7-147928	HEAT TREATMENT/SURFACE TREATMENT	MATERIAL DESCRIPTION	USED FOR	5-147929
	CONFIDENTIAL <small>This document contains CONFIDENTIAL/PROPRIETARY information which shall not be used, reproduced, or disclosed to others without prior written approval of Artis Engineering Company.</small>	D	ARTIS ENGINEERING COMPANY	
	SCHEMATIC, ELECTRICAL ROLLUP COILING BOWLS CD-22			
	WORK TO MEAN DIMENSIONS DO NOT SCALE DRAWING	DESIGN BY E. SHAPTE	SCALE 1:1	DRAWING NO. 7-147928
ES-1 STANDARDS APPLY PLEASE READ THEM BEFORE MFG.		CHECKED BY M. KIRST	DATE 02/20/2015	SHEET NUMBER 1 of 1





QTY	REF. NO.	PART NO.	DESCRIPTION
1	1	145722	RECEPTACLE, BASE
1	2	916-992	COVER, DUST
4	3	950-394	SCREW_SHC M4X16
8	4	950-028	WASHER FLAT M4
4	5	952-616	WASHER LOCK M4
4	6	950-004	NUT HEX M4
1	7	910-374	CORD GRIP
1	8	910-379	LOCKNUT
2	9	912-345	PLUG, HOLE
1	10	5-145716	CR11 CD-19 AND 20 RECEPT.
2	11	145616	BLOCK, DOCKING
4	12	950-114	SCREW_SHC M6X25
4	13	950-057	WASHER FLAT M6
2	14	916-168	HANDLE
2	15	145389	SPACER, DOCKING
2	16	145484	COLLAR, DOCKING
2	17	950-846	WASHER FLAT
2	18	918-618	LANYARD
2	19	950-375	SCREW_SHC M4X12
2	20	952-325	WASHER LOCK M5
1	21	912-523	COUPLER, BULKHEAD
4	22	917-941	NUT, NYLON LOCK M6



NOTE  
1. IF THE CONNECTOR NEEDS TO BE REMOVED, COVER PLATE 143961 CAN BE USED TO COVER THE HOLE.

NOTE: ASSEMBLY IS USED FOR CR22 COILING BOWLS AND COLLECTOR ENCLOSURE ASSY'S.

5-147936	HEAT TREATMENT/SURFACE TREATMENT	MATERIAL DESCRIPTION	USED FOR		
	—	SEE BOM	5-147927/5-147929		
	CONFIDENTIAL <small>This document contains CONFIDENTIAL proprietary information which shall not be used, reproduced, or disclosed to others without prior written approval of Artec Engineering Company.</small>	D			CLASS CODE CR22
	WORK TO MEAN DIMENSIONS DO NOT SCALE DRAWING ES-1 STANDARDS APPLY PLEASE READ THEM BEFORE MFG.	DRAWN BY LALUMONDIER CHECKED BY DATE 02/24/2015	SCALE 1:4 SHEET NO. 5-147936	REVISION DATE 2/24/2015 REVISION 0 SHEET NUMBER 1 of 1	