

# ES-100 stripping blades

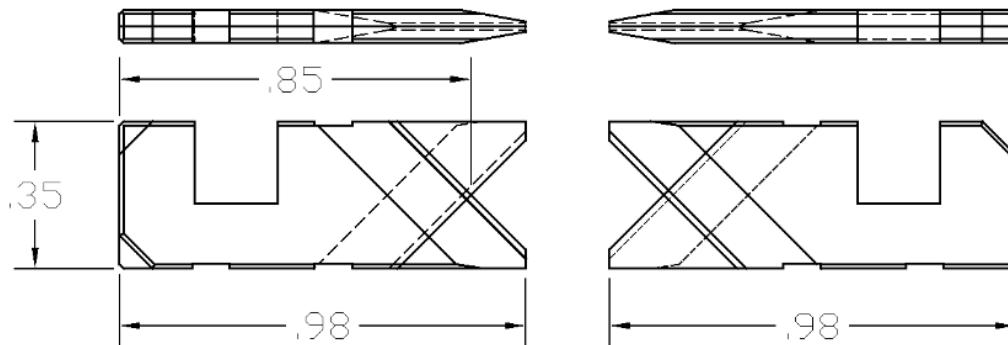
REV 0 1/05/2016

## Contents

Universal V style stripping blades .....	1
True radius style stripping blades .....	1
Drilled Die Type .....	2
Collinear Radius Die Type "CL-R" stripping blades .....	3
Flat cable stripping blades .....	3

Dimensions on blade sketches are in inches and are only approximate overall dimensions.

## Universal V style stripping blades



**148952** Strip blade universal "V" 20 degree, sold in pairs

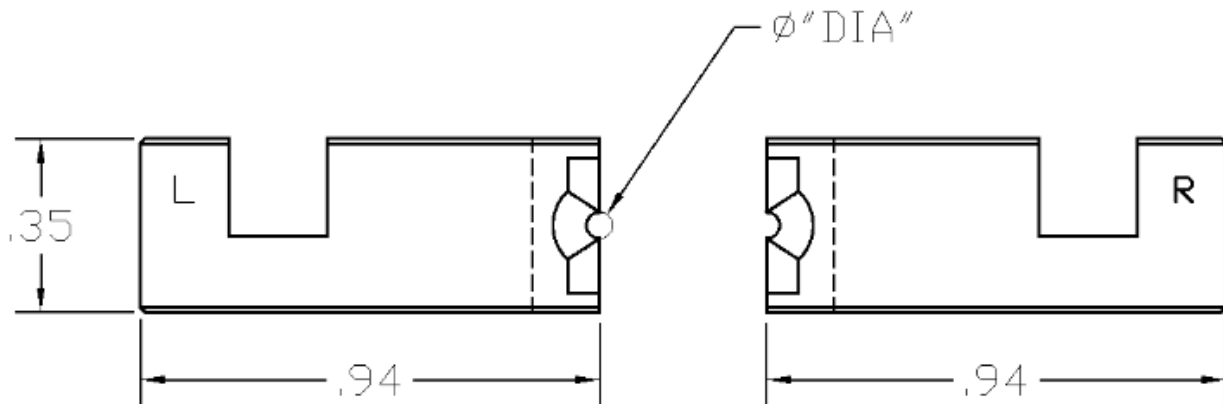
## True radius style stripping blades

The sharp edge is ground to a half circle whose radius approximates awg wire size. The entry angle lines intersect the half circle at the quadrant points. This type of blade, when closed, presents a true circle profile.

Advantages: this type of blade is excellent for precise and clean jacket removal because it has the exact hole profile matching a conductor gauge. Excellent for thin wall cross-link PVC and most rubbery or elastic insulations (thin or thick wall).

Disadvantages: shut height cannot be modified to process adjacent wire sizes. Off center wire condition has to be considered when choosing blade size.

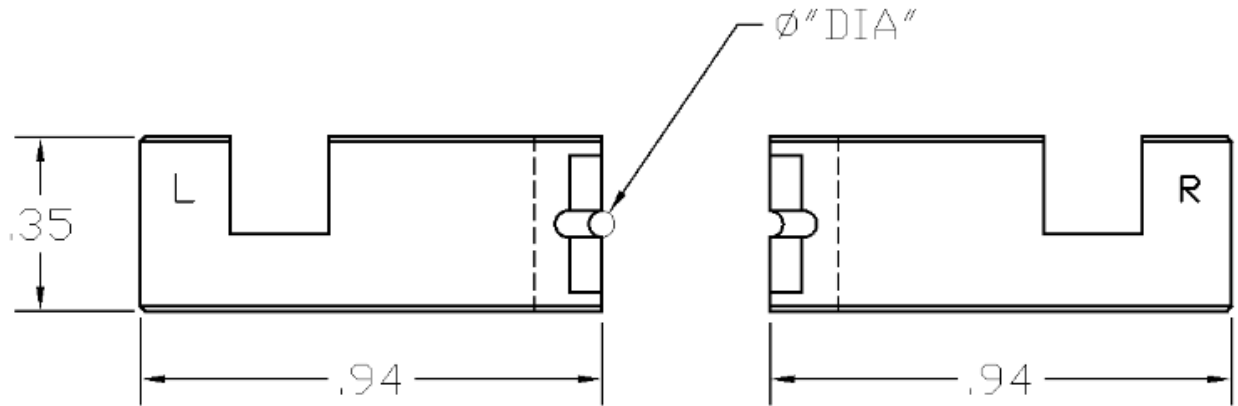
## Drilled Die Type



**5-124532-xxx** Strip blade, radius style 20 degree, the dash number is the diameter of the hole in the blade in inches. Example -028 is .028 inches. The advantages to the drilled die type are that the blade tends to last much longer. The disadvantage is that the strip edge is dull when compare to the CL-R edge. This will give slightly more tear of the insulation than the CL-R.

Dash #	millimeters		
-024	0.61	-087	2.20
-031	0.78	-102	2.60
-037	0.95	-108	2.75
-041	1.03	-114	2.90
-045	1.14	-126	3.20
-052	1.31	-142	3.60
-053	1.35	-150	3.80
-062	1.58	-177	4.50
-067	1.70		
-079	2.00		

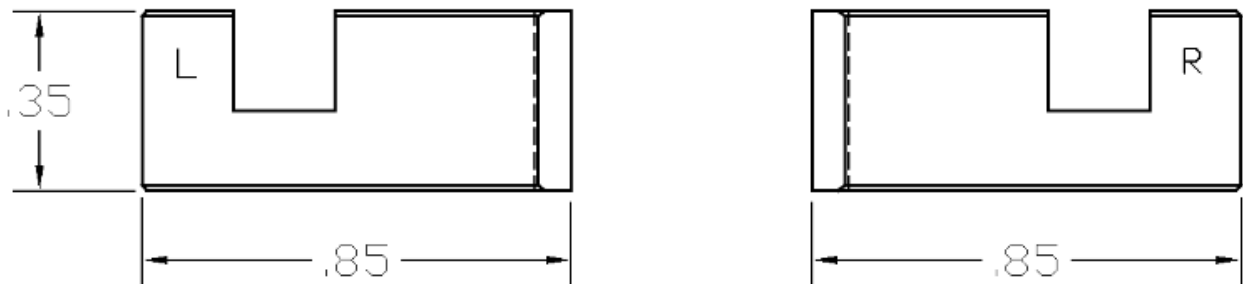
### Collinear Radius Die Type "CL-R" stripping blades



**5-124537-xxx** Strip blade, radius style 20 degree, the dash number is the diameter of the hole in the blade in inches. Example -028 is .028 inches. The advantage to the CL-R blade is that the strip edge is sharp and will penetrate the insulation better than a drilled die type. This gives a clean cut of the insulation. The disadvantage is that because the strip edge is sharp it will wear faster than the die type.

Dash #	millimeters		
-024	0.61		
-053	1.35		
-062	1.58		

### Flat cable stripping blades



**5-148990** Straight edge strip for ribbon or phone cable. Use the machine to adjust for core diameters the same as the V blade.