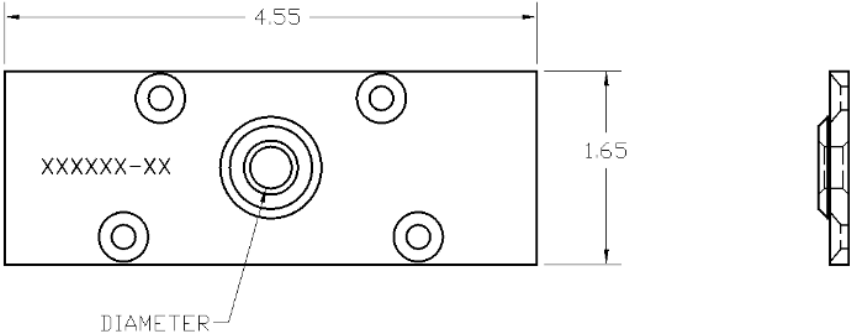


# ES-100 Wire Guide

REV 0 12/03/2016

**148964-xx** Wire guide. This assists with aligning the wire with the blades. It is especially useful when using radius blades.



Number	Diameter, inches	Diameter, mm
-10	0.040	1.0
-15	0.059	1.5
-20	0.078	2.0
-25	0.098	2.5
-30	0.118	3.0
-35	0.138	3.5
-40	0.157	4.0
-45	0.177	4.5
-50	0.197	5.0
-55	0.217	5.5
-60	0.236	6.0
-65	0.256	6.5