

One Tough PUPI™



Full product catalog is available online: www.pupicrossarms.com

NEW!

PUPI® EZE-MOUNT™ TANGENT CROSSARM ASSEMBLY

If you think high-quality fiberglass crossarms are too expensive for standard-duty tangent applications, think again! The PUPI® EZE-Mount™ tangent crossarm assembly is designed to bring you all the advantages of fiberglass crossarms at an initial cost that is competitive with wood crossarms. Now it's even more affordable to use fiberglass crossarms across your entire distribution system.

THE PUPI EZE-MOUNT ASSEMBLY CONSISTS OF:

1. PUPI 2200 series crossarm
2. An innovative, compact mount designed specifically for use with the 2200 series crossarm
3. A 4-1/2" square, heavy-duty washer (depending on model)

The complete EZE-Mount assembly is ordered with one catalog number. All required parts are packaged and shipped together in standard pallets of 100, ready for installation. Our new tangent crossarm system delivers significant advantages over wood crossarms at a competitive cost!



Assembled PUPI EZE-Mount tangent crossarm assembly.

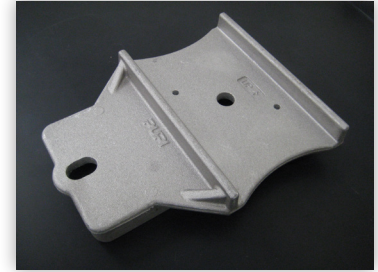


Top view of assembled PUPI EZE-Mount tangent crossarm assembly.

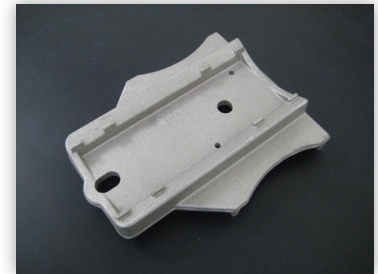
PUPI® EZE-MOUNT™ ASSEMBLY

EZE-MOUNT™ ADVANTAGES:

- **Fewer parts to inventory and handle:** EZE-Mount™ assemblies eliminate the need for braces and associated bolts.
- **Faster assembly:** With the PUPI® EZE-Mount, crossarms are assembled and securely attached to pole by tightening just two bolts.
- **Better clearance:** the compact, braceless design of the EZE-Mount means more clearance room for line workers and overhead equipment.
- **Lighter weight:** an 8' PUPI EZE-Mount assembly weighs only 25 pounds.
- **Longer service life:** The cast-aluminum mount, galvanized steel front plate and fiberglass crossarm are impervious to damage from UV radiation, rot and insects.
- **Economical:** With twice the service life, plus less time and labor to install, the overall lifetime cost of a PUPI fiberglass crossarm is considerably lower than comparable wood assemblies!



EZE-Mount Front View



EZE-Mount Back View

INITIAL COST COMPARISON:

C1 WOOD TANGENT ASSEMBLY	# OF PARTS	PUPI EZE-MOUNT ASSEMBLY	# OF PARTS
8' WOOD CROSSARM	1	PUPI 8' BRACELESS CROSSARM	1
6018 BRACES	2	PUPI EZE-MOUNT & HD WASHER	2
1/2" SPLIT BOLTS	2		
5/8" MACHINE BOLTS FOR BRACES	2		
TOTAL NUMBER OF PARTS	7	TOTAL NUMBER OF PARTS	3
ESTIMATED MATERIAL COST	\$61	ESTIMATED MATERIAL COST	\$81
ASSEMBLY LABOR COST	\$30	ASSEMBLY LABOR COST	\$21
TOTAL LABOR & MATERIALS*	\$91	TOTAL LABOR & MATERIALS*	\$102

*The costs listed above are based on one customer's analysis and are shown for comparative purposes only. Based on individual circumstances, actual costs can differ from the costs shown for wood, fiberglass, hardware and labor shown in this comparison.

FIELD ASSEMBLY:

The PUPI EZE-Mount is designed for use on wood poles. Installation is fast, easy, and secure. To install assembly on pole, simply insert a standard 5/8" pole mounting bolt through the crossarm, EZE-Mount and front plate. Tighten nut to sink the mount cleats into the pole. Then insert a second 5/8" bolt through bottom hole of mount and tighten nut. Braces are not necessary.

PRODUCT SPECIFICATIONS:

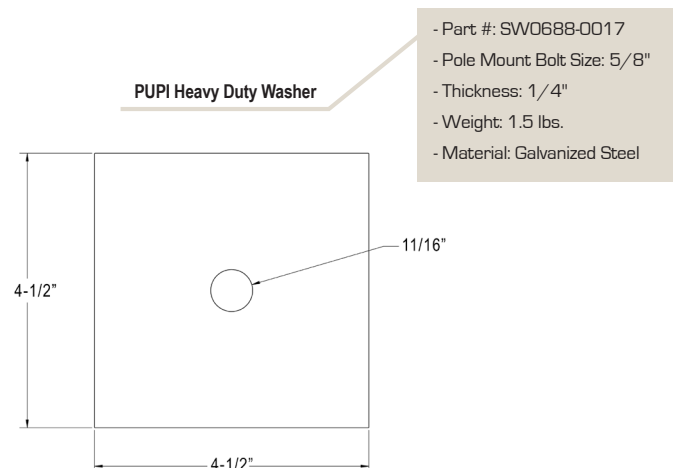
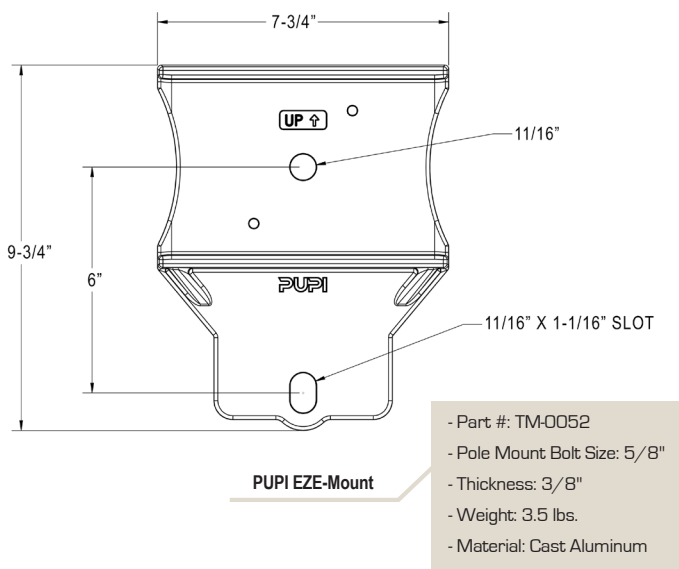
PUPI CATALOG NUMBER	DESCRIPTION	ASSEMBLY COMPONENTS	2200 SERIES CROSSARM DIMENSION	ULTIMATE VERTICAL LOAD PER SIDE, lbs.	DEFLECTION PER 1000 LBS LOAD PER SIDE, inches	ASSEMBLY WEIGHT, lbs.
TZ220209603X2	8' EZE-Mount Crossarm Assembly RUS TYPE 03	PUPI 2200 series crossarm, PUPI EZE-Mount, PUPI 4-1/2" HD washer	3-5/8" x 4-5/8"	3,500	0.76	25
TZ22020965342	8' EZE-Mount Crossarm Assembly RUS TYPE 03	PUPI 2200 series crossarm, PUPI EZE-Mount	3-5/8" x 4-5/8"	2,000 **	0.78 **	23
TZ220209604X2	8' EZE-Mount Crossarm Assembly RUS TYPE 04	PUPI 2200 series crossarm, PUPI EZE-Mount, PUPI 4-1/2" HD washer	3-5/8" x 4-5/8"	3,500	0.76	25
TZ22020965352	8' EZE-Mount Crossarm Assembly RUS TYPE 04	PUPI 2200 series crossarm, PUPI EZE-Mount	3-5/8" x 4-5/8"	2,000 **	0.78 **	23
TZ220212005X2	10' EZE-Mount Crossarm Assembly RUS TYPE 05	PUPI 2200 series crossarm, PUPI EZE-Mount, PUPI 4-1/2" HD washer	3-5/8" x 4-5/8"	2,750	1.34	30
TZ22021205362	10' EZE-Mount Crossarm Assembly RUS TYPE 05	PUPI 2200 series crossarm, PUPI EZE-Mount	3-5/8" x 4-5/8"	1,500 **	1.36 **	28

1) When PUPI 4-1/2" HD washers are not included, use of 2-1/4" washers (or larger) is recommended.

2) Listed assemblies contain a TorqueGUARD™ bushing in the center hole to protect the crossarm during pole mounting. TorqueGUARD bushings can be added to insulator holes at additional cost.

3) Recommended maximum working load is 50% of ultimate vertical load. Ultimate load tests are performed with full face washers at wire positions. Test reports and methods are available upon request.

**Performance values are determined using a recommended 2-1/4" steel square washer on face of crossarm.



All product specifications reflect the most accurate information available at the time of printing. GEOTEK reserves the right to revise.

TORQUEGUARD™ BOLT HOLE PROTECTION:

The pole mount hole on the EZE-Mount™ tangent crossarm assembly is reinforced with a TorqueGUARD™ bushing to protect the crossarm from damage during pole mounting. TorqueGUARD bushings may also be added to insulator holes to provide extra protection during installation of insulator pins.

SUNGUARD® UV PROTECTION:

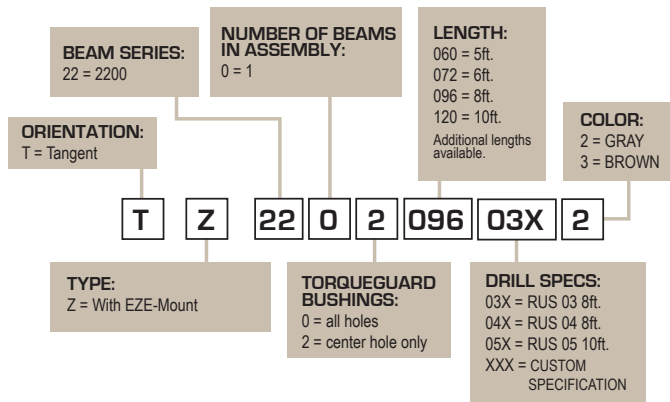
All PUPI® crossarms are protected from UV radiation by an exclusive 3-level system:

1. A broad-spectrum UV inhibitor within the resin mix
2. A layer of UV – resistant polyester veil wrapping the reinforcing fibers
3. SunGUARD® UV protective coating thermally bonded to the surface

The PUPI UV protection system has been projected to prevent UV damage (including fiber blooming) for at least 60 years. There has never been a reported failure of a PUPI crossarm due to UV damage.

TESTED PERFORMANCE:

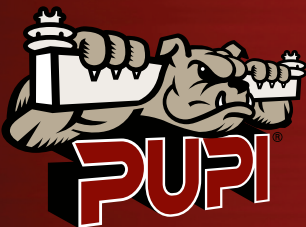
The PUPI EZE-Mount assembly has been thoroughly tested in GEOTEK’s state-of-the-art laboratories. All PUPI products are tested with methods designed to approximate actual field conditions. The PUPI EZE-Mount crossarm assembly delivers strength that is comparable to the strength of typical Douglas-fir crossarm assemblies, but with significantly less variability and no strength loss over time.



PUPI LEADERSHIP AND INNOVATION:

The EZE-Mount tangent crossarm assembly is the latest innovation from PUPI, the leader in fiberglass crossarms for electrical utilities. GEOTEK started the fiberglass crossarm revolution more than 20 years ago. Today, hundreds of utilities across North America trust PUPI fiberglass crossarms for deadend assemblies, tangent applications and H-frame structures.

Ask your PUPI Sales Representative about the new EZE-Mount tangent crossarm assembly.



CONTACT:

1421 Second Ave. NW
 Stewartville, MN 55976 USA
 800.533.1680 or 507.533.6076
 Fax: 507.533.4784
 pupisales@geotekinc.com

PUPI is a product of:



BUILT IN USA

PUPI crossarms and braces are designed and built in the USA. All of our fiberglass pultrusion, fabrication and assembly are performed at our plant in Stewartville, MN.