

DESCRIPTION

The **MindCore Technologies** "AIB" is a single pole, hookstick operated disconnect switch created for in-line suspended applications. The AIB mechanically supports the full tension of the distribution line and provides high voltage insulation when open.

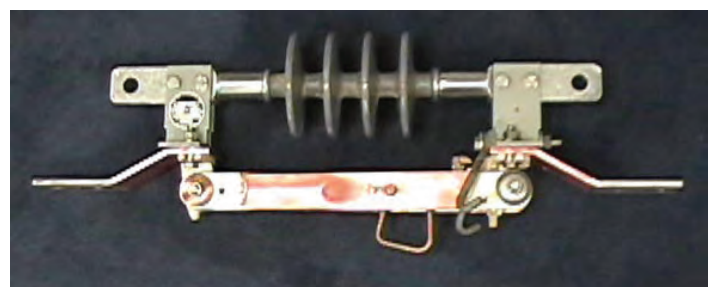
In addition, the "AIB", when used in conjunction with a load break tool, can be used to interrupt the full current load of the line on systems up to 34.5kV.

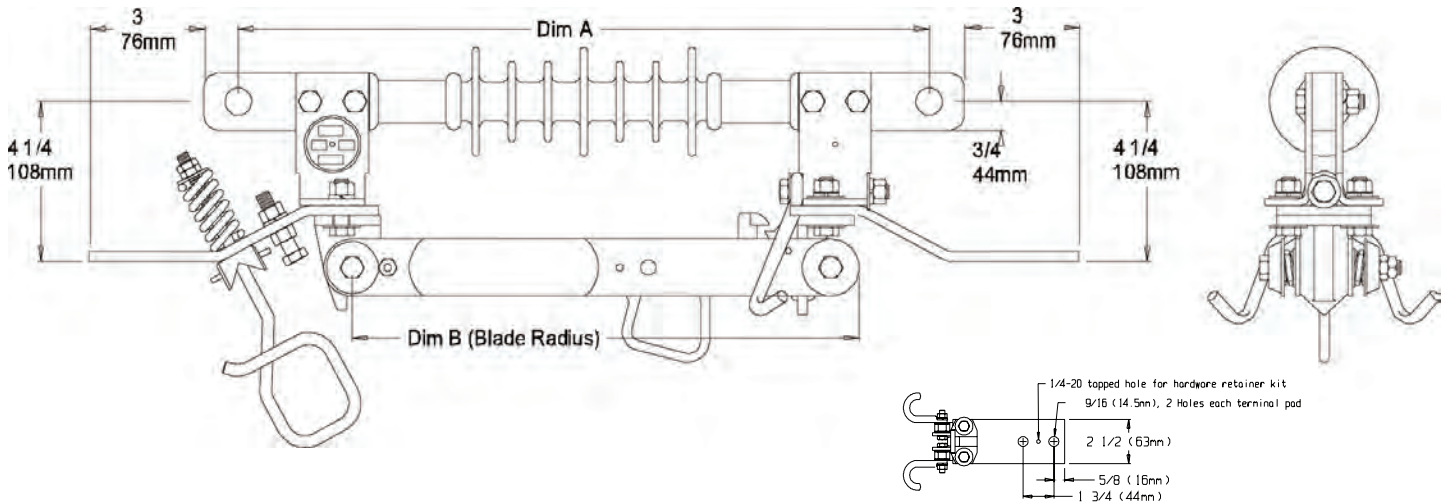
A popular and economical solution to "Pole Clutter" problems, the "AIB" requires no additional support brackets and is ideally suited for armless construction.

Simply designed and ruggedly constructed the "AIB" is available in four voltage classes: 15 kV, 27 kV, 34.5 kV

and 46 kV. With its use of polymer insulators, the "AIB" in-line switch offers utilities a light weight answer to their isolation problems.

Switches can optionally be supplied with stainless steel and copper-bronze components, making these switches ideal for salt contaminated environments.



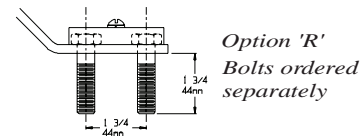


SPECIFICATION

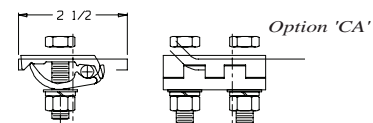
Voltage	15kV	27kV	35kV***	46kV.
Catalog Number	AIB15	AIB27	AIB35	AIB46
Nominal voltage - kV.	13.8	27	34.5	46
Maximum voltage - kV.	15.5	29.8	38	48.3
System B.I.L. withstand - kV.	150	200	200	250
Tested B.I.L. withstand - kV.	164.8	222	222	298
Withstand - Wet - kV.	70	115	115	165
Withstand - Dry - kV.	100	140	140	180
Leakage Distance - inch [mm]	15.1 [384]	28.4 [720]	28.4 [720]	40.4 [1025]
Current Capacity - Amps.	900 *			
MOM. Current - Amps.	40,000			
**S.M.L., Specified Mechanical Load (min.) Lbs [kg.]	20,000 [9091]			
Max. Working Load - Lbs [kg.]	10,000 [4546]			
Dimension 'A' - inch [mm]	18.4 [467]	22.9 [581]	22.9 [581]	27.4 [696]
Dimension 'B' - inch [mm]	13.4 [340]	17.9 [454]	17.9 [454]	22.4 [568]
Net Weight - Lbs [kg.]	12 [5.5]	14 [6.4]	14 [6.4]	16.25 [7.4]

OPTIONS

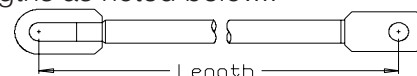
- For stainless steel and bronze switch components for contaminated environments add suffix '**E**' to the catalog No. (eg. AIB27**E**).
- For two sets of hardware retainers for connectors (catalog number 30456) add suffix '**R**' to the catalog No. (eg AIB27**R**)



- For positive 165° open latch option add suffix '**L**' to the catalog No. (eg AIB27**L**).
- For 90° open stop option add suffix '**S**' to the catalog No. (eg. AIB27**S**).
- For two sets of clamp type connectors (catalog number 30779) add suffix '**CA**' to the catalog No. (eg. AIB27**CA**).



- Anti-rotation bars are available in various lengths as noted below..



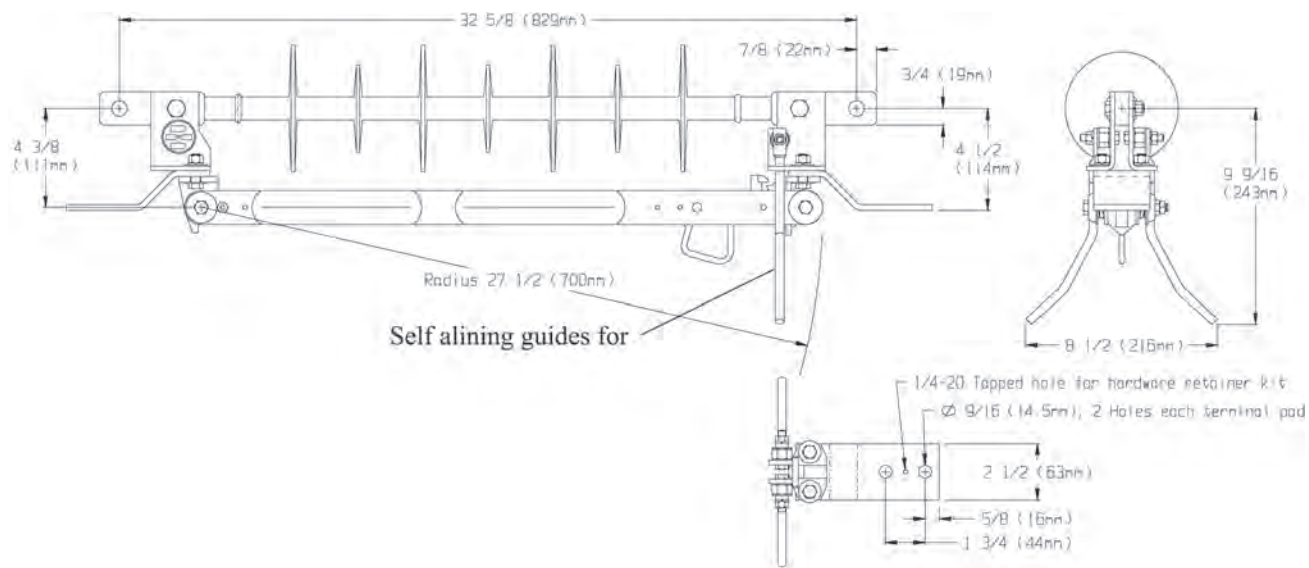
16" [406mm] - Cat. number 7592
22" [559mm] - Cat. number 19937
30" [762mm] - Cat. number 26875





APPLICATIONS

Developed for the electrical utility requiring additional dielectric withstand capabilities, the "AIBOH" has all the features of the "AIB". However, the "AIBOH" has a much longer 69 kV rated insulator. See the table below for these enhancements.



Voltage	46kV.
Catalog Number	AIBOH46900
Nominal voltage - kV.	46
Maximum voltage - kV.	48.3
B.I.L. withstand - kV.	308
Withstand - Wet - kV.	207
Withstand - Dry - kV.	210
Leakage Distance - inch [mm]	44.1 [1120]
Current Capacity - Amps.	900 *
MOM. Current	40,000
**S.M.L. Specified Mechanical Load (min) - Lbs [kg.]	15000 [6818]
Maximum Working Load - Lbs [kg.]	7500 [3409]
Dimension 'A' - inch [mm]	32.62 [829]
Dimension 'B' - inch [mm]	27.5 [700]
Net Weight - Lbs [kg.]	15.5 [7.0]